

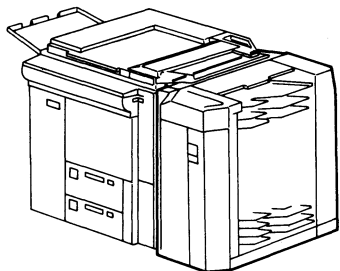
**ST20**

**(A469)**

## ST20 (A469)

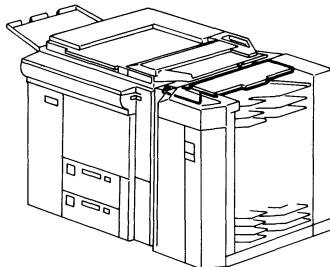
Location of Unit . . . . .	3	12. Harness Layout (A469) . . . . .	28
1. Exterior (A469) . . . . .	6	13. DC Harness (A469) . . . . .	30
2. Transport (A469) . . . . .	8	14. AC Harness (A469) . . . . .	32
3. Upper Distribution (A469) . . . . .	10	15. Stapler Harness (A469) . . . . .	34
4. Lower Distribution (A469) . . . . .	12	16. Gripper Harness (A469) . . . . .	36
5. Staple Unit (A469) . . . . .	14	17. Jog Sensor and AC Intermediate Harnesses (A469) . . . . .	38
6. Jogger (A469) . . . . .	16	18. Receiver Sensor Board, Light Sensor Board and Paper Size Sensor Harnesses (A469) . . . . .	40
7. Stapler Vertical Drive (A469) . . . . .	18	19. Noise Filter Harness (A469) . . . . .	42
8. Main Board (A469) . . . . .	20	20. Decal and Document (A469) . . . . .	44
9. Receiver Sensor Board (A469) . . . . .	22	Parts Index . . . . .	48
10. Light Sensor Board (A469) . . . . .	24		
11. Bin Solenoid Board (A469) . . . . .	26		

**1. EXTERIOR**



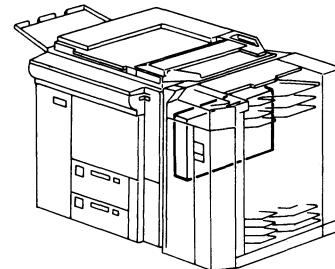
See page 6

**2. TRANSPORT**



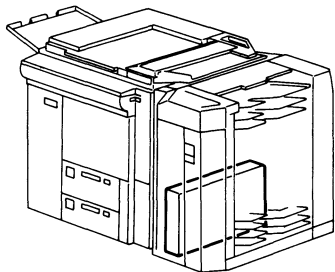
See page 8

**3. UPPER DISTRIBUTION**



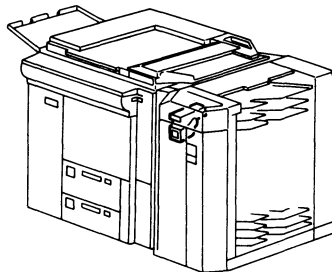
See page 10

**4. LOWER DISTRIBUTION**



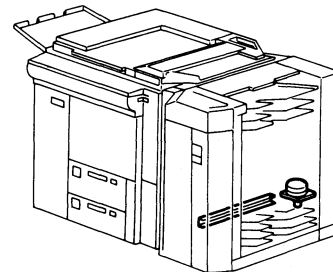
See page 12

**5. STAPLE UNIT**



See page 14

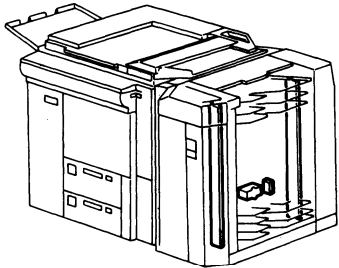
**6. JOGGER**



See page 16

# LOCATION OF UNIT

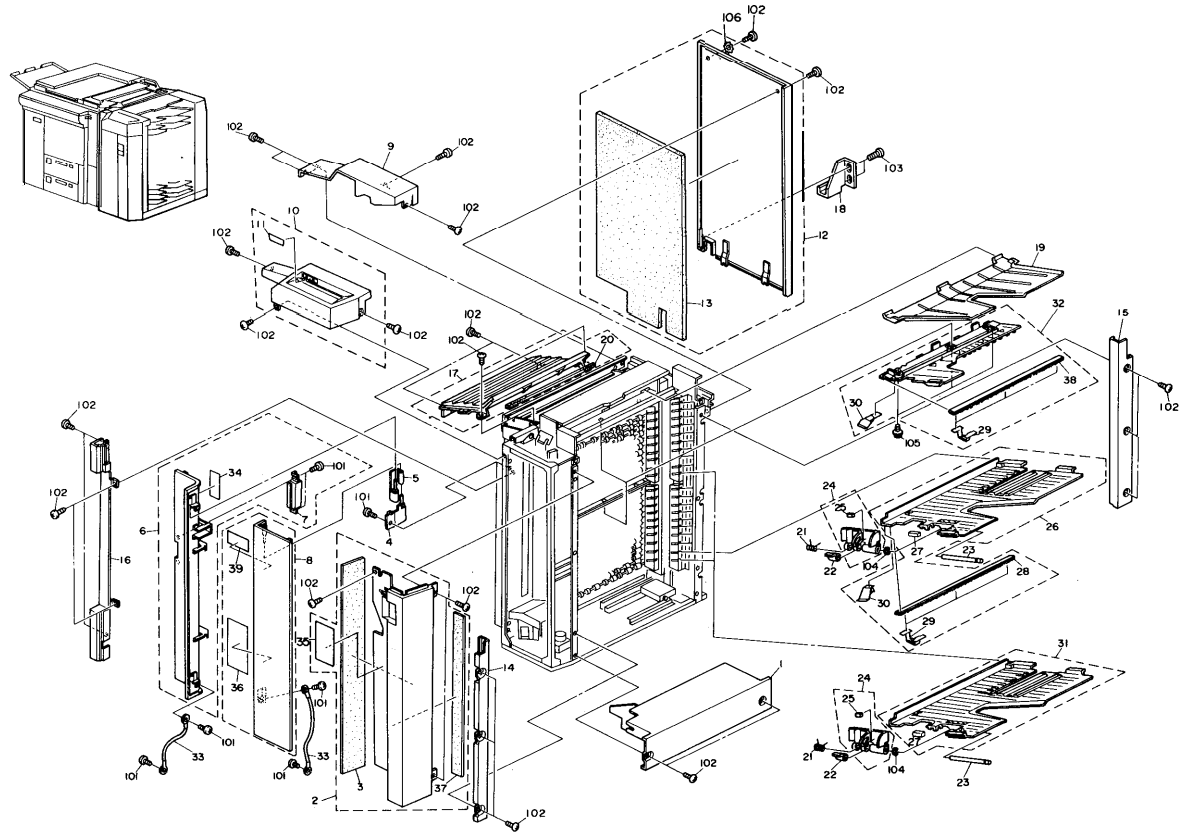
## 7. STAPLER VERTICAL DRIVE



See page 18

# 1. EXTERIOR (A469)

September 25, '90



**1. EXTERIOR (A469)**

September 25,'90

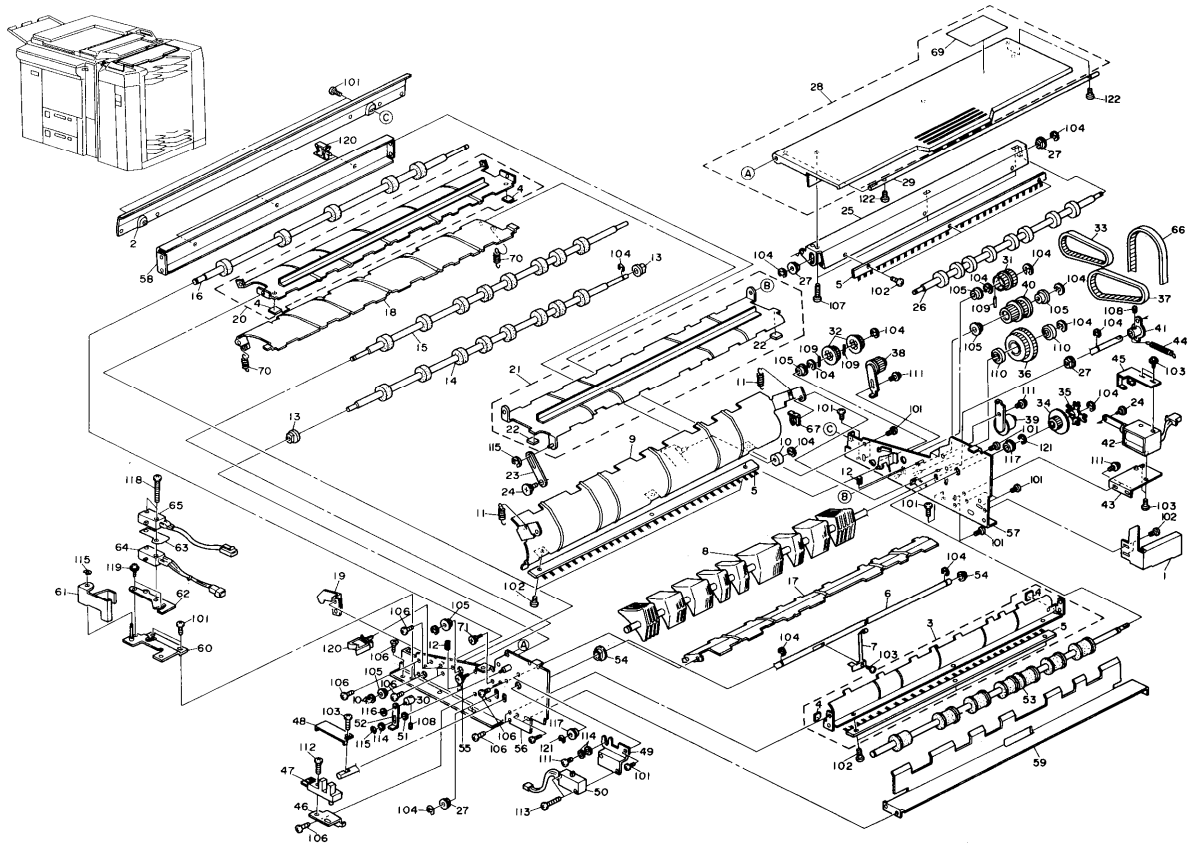
ndex No.	Part No.	Description	Q'ty Per Assembly
1	A469 1392	Bottom Cover	1
2	A469 1700	Right Cover	1
	A469 1701	O/O MB18	1
3	A469 1313	Insulating Pad -10x120x870mm	1
4	A469 1310	Hinge Bracket	2
5	A469 1315	Hinge	2
6	A469 1682	Front Left Door	1
7	A469 1335	Hand Grip	1
8	A469 1698	Front Right Door - LT	1
8	A469 1692	Front Right Door - A4	1
9	A469 1261	Rear Top Cover	1
10	A469 1675	Front Top Cover	1
11	A469 1269	Indicator Film	1
12	A469 1710	Rear Cover	1
13	A469 1660	Pad - Rear Cover	1
14	A469 1376	Front Bin Support Cover	1
15	A469 1386	Rear Bin Support Cover	1
16	A469 1285	Left Cover	1
17	A469 1245	Left Top Cover	1
18	A469 6050	Inter Lock Plate	1
19	5887 3281	Proof Tray	1
20	A469 1257	Pad - 2x7x485mm	1
21	A469 4530	Spring - Side Fence	20
22	A469 4531	Guide Plate - Front Side Plate	20
23	A469 4533	Front Side Plate	20
24	A469 4537	Bin Front Side Plate Ass'y	20
25	A469 4536	Pad - 4x8x12mm	20
26	A469 4542	Sorting Bin - LT	18
26	A469 4539	Sorting Bin -A4	18
27	A469 4535	Pad - 2x3x40mm	20
28	A469 4541	Antistatic Brush - Bin	18
29	A469 4949	Mylar Seal - Bin	80(LT) 100(A4)
30	A469 4548	Mylar Seal - Stapler Guide	20
31	A469 4540	Sorting Bin - 10th,20th	2

ndex No.	Part No.	Description	Q'ty Per Assembly
32	A469 3291	Bin Exit Guide - LT	2
32	A469 3290	Bin Exit Guide - A4	2
33	A469 5465	Grounding Wire	2
34	A469 6059	Decal - Misfeed Removal 7	1
35	A469 6065	Decal - Staple Replacement	1
36	A469 6071	Decal - Misfeed Removal 7	1
37	A469 1314	Insulating Pad - 10x72x625mm	1
38	A469 3855	Antistatic Brush - Bin Exit Guide	2
38	58874270	Antistatic Brush - Bin x/o MB2	2
39	A4696100	Decal - Staple Note (USA) MB6 (Added)	1
101	0434 0060B	Philips Tapping Screw - M4x6	
102	0344 0060F	Philips Truss Head Screw - M4x6	
103	03140060W	Philips Pan Head Screw - M4x6	
104	0720 0030E	Retaining Ring - M3	
105	0951 4006B	Philips Screw with Flat Washer - M4x6	
106	0705 0040Z	Crown Washer 4 MB7 (Added)	



## 2. TRANSPORT (A469)

September 25, '90



## 2. TRANSPORT (A469)

September 25,'90

Index No.	Part No.	Description	Q'ty Per Assembly
1	A469 1398	Upper Cover - Gripper Solenoid	1
2	A469 1258	Upper Cover Mounting Plate	1
3	A469 2139	Guide Plate - Distribution Entrance	1
4	A4692123	Rubber Cushion - 1x10x10mm	4
5	58873268	Antistatic Brush	3
6	A4692230	Exit Sensor Shaft	1
7	A469 2231	Exit Sensor Feeler	1
8	A469 2250	Turn Gate	1
9	A469 2150	Left Guide - Distribution Entrance	1
10	58874400	Guide Roller - Driven Unit	1
11	AA06 0216	Spring - Guide Plate	2
12	58873257	Spring - Lower Exit Roller	2
13	58874155	Shaft Guide - Turn Driven	2
14	A4692200	Driven Transport Roller	1
15	A469 2210	Drive Transport Roller	1
16	A469 2325	Vertical Transport Roller	1
17	A469 2130	Lower Exit Guide Plate	1
18	A469 2124	Upper Transport Guide Plate	1
19	A469 2075	Guide Plate Bracket	1
20	A4692110	Upper Relay Guide Plate	1
21	A4692134	Upper Exit Guide Plate	1
22	<b>A469 3113</b>	Rubber Seal - 1X6X10mm	2
23	<b>A469 2138</b>	Link - Exit Guide Plate	2
24	52062684	Shoulder Screw - M3	2
25	A469 2410	Bracket - Upper Exit Roller	1
26	A469 2415	Upper Exit Roller	1
27	50530447	Bushing - M6	4
28	A469 2432	Top Cover - LT	1
	A469 2391	x/o MB1	1
28	A469 2433	Top Cover - A4	1
	A469 2389	x/o MB1	1
29	A469 2421	Shaft - Top Cover	1
30	A469 2422	Lever - Top Cover Switch	1
31	AB01 7138	Gear - 15Z	1
32	AB030157	Pulley - 12Z	2

Index No.	Part No.	Description	Q'ty Per Assembly
33	AA04 3075	Timing Belt -110XL	1
34	AB030155	Pulley - 10Z	1
35	54424495	Slip Clutch	1
36	AB01 7139	Gear - 26Z	1
37	AA04 3074	Timing Belt - 104XL	1
38	A469 2345	Idle Pulley	1
39	A469 2335	Tension Idler	1
40	AB01 7071	Pulley - 17Z	1
41	A469 2255	Turn Gate Bracket	1
42	A469 2266	Turn Gate Solenoid	1
43	A469 2260	Bracket - Turn Gate Solenoid	1
44	AA06 0215	Return Spring - Entrance Guide	1
45	A469 2262	Stopper - Turn Gate Solenoid	1
46	A469 2240	Exit Sensor Bracket	1
47	52055251	LED Sensor Type - T	1
48	A469 2232	Exit Sensor Actuator	1
49	A469 5206	Bracket - Top Cover Switch	1
50	A469 5207	Top Cover Switch	1
51	A469 2425	Spacer - 4.5x8x2mm	1
52	A469 2423	Arm - Top Cover Switch	1
53	A469 2220	Lower Exit Roller	1
54	50530709	Bushing - 6x10x6mm	2
55	54032075	Stepped Screw	1
56	A469 2050	Front Side Plate - Transport	1
57	A469 2055	Rear Side Plate - Transport	1
58	A4692100	Transport Stay Bracket	1
59	A4692105	Proof Tray Supporter	1
60	A469 1170	Lever Bracket	1
61	A469 1174	Lever - Front Left Door Switch	1
62	A469 5201	Bracket - Front Left Door Switch	1
63	A469 5215	Insulating Sheet - Switch	1
64	A469 5202	Lower Switch - Front Left Door	1
65	A469 5203	Upper Switch - Front Left Door	1
66	AA04 3079	Timing Belt - 424XL	1
67	52062686	Snap Ring	1



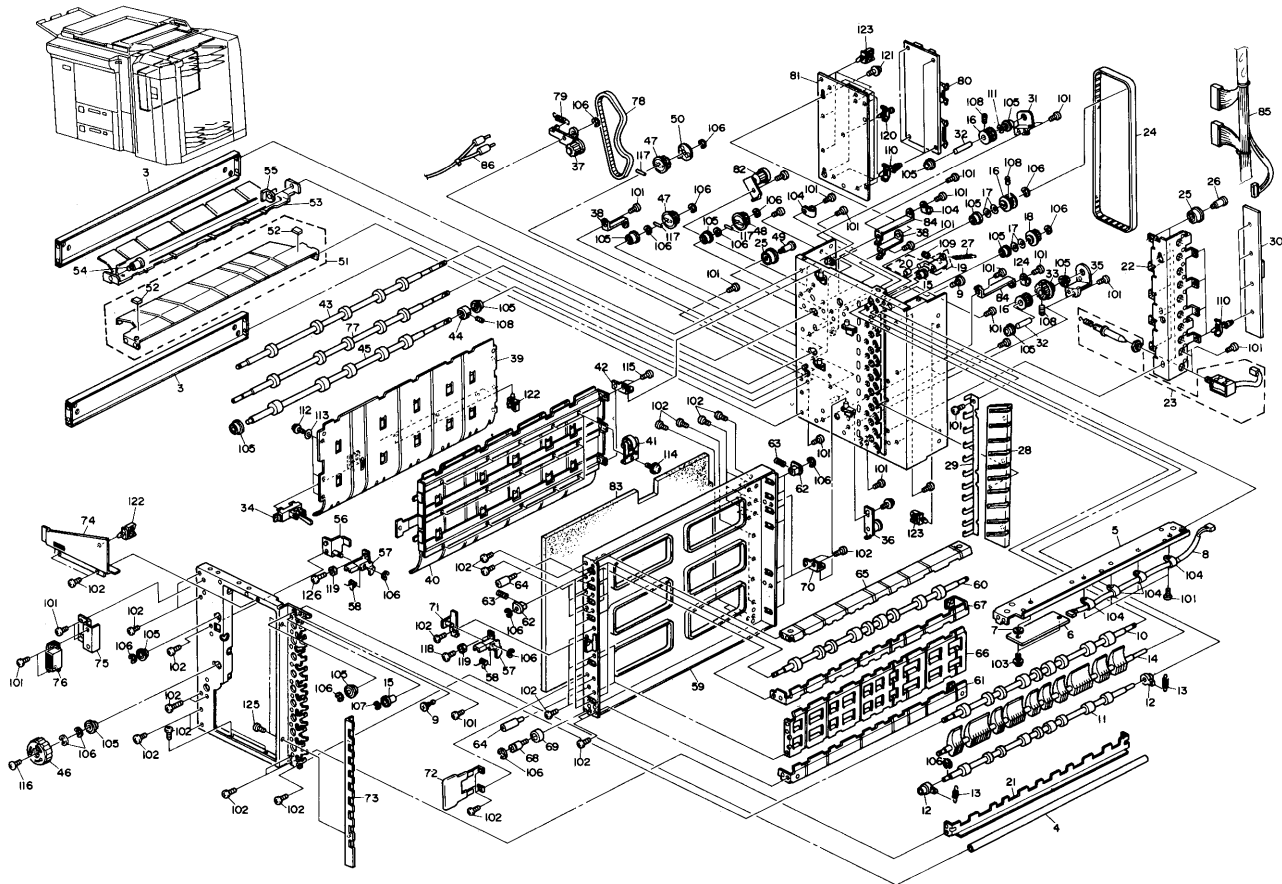


& x	Part No.	Description	Q'ty Per Assembly
68	54082035	Stepped Screw - M4	1
69	A469 6077	Decal - Staple Position	1
69	A469 6082	Decal - Staple Position	1
<b>70</b>	<b>AA06 0232</b>	Spring - Transport Guide	2
71	AA143201	Stepped Screw <b>MB11</b> (Added)	1

Index No.	Part No.	Description	Q'ty Per Assembly
101	0434 0060B	Philips Tapping Screw - M4x6	
102	03140060B	Philips Pan Head Screw - M4x6	
103	0313 0050B	Philips Pan Head Screw - M3x5	
104	0720 0040E	Retaining Ring - M4	
105	08053145	Ball Bearing - 6x12x4mm	
106	0314 <b>0060W</b>	Philips Pan Head Screw - M4x6	
107	<b>08025086</b>	Tapping Screw - M4x10	
108	0574 0040E	Hexagon Headless Set Screw - M4x4	
109	<b>0632</b> 0120G	Parallel Pin 2x12	
110	07403206	Ball Bearing	
111	0951 4006B	Philips Screw with Flat Washer - M4x6	
112	0314 0100B	Philips Pan Head Screw - M4x10	
113	0313 <b>0160W</b>	Philips Pan Head Screw - M3x16	
114	0701 0040B	Flat Washer - M4	
115	0720 0030E	Retaining Ring - M3	
116	<b>08050083</b>	Retaining Ring - M4	
117	08053291	Ball Bearing - 8x16x5mm	
118	03130300W	Philips Pan Head Screw - M3x30	
119	<b>0964</b> 4006B	Tapping Screw With Flat Washer - M4x6	
120	11050106	Wire Saddle	
121	0720 0060E	Retaining Ring <b>M6</b>	
122	03140080W	Philips Pan Head Screw - M4x8	

### 3. UPPER DISTRIBUTION (A469)

September 25,



### 3. UPPER DISTRIBUTION (A469)

September 25, '90

Index No.	Part No.	Description	Q'ty Per Assembly
1	A469 3050	Front Side Plate - Distribution	1
2	A4693055	Rear Side Plate - Distribution	1
3	A469 3070	Stay Plate - Distribution	2
4	A469 3072	Stay Shaft - Distribution	1
5	A469 3075	Bracket - Receiver Sensor Board	1
6	58875623	Receiver Sensor Board	1
7	H000 3277	Spacer - 4x8x3.5mm	2
8	A469 5430	Harness - Receiver Sensor Board	1
9	A469 3077	Stopper Screw	2
10	A4693150	Bin Transport Roller	10
11	A4693155	Bin Exit Roller	10
12	AA08 0054	Bushing - 6x8x9mm	20
13	54092525	Spring - Registration Link	20
14	A4693160	Bin Gate	10
15	58402416	Bushing - Pinch Roller	20
16	58874190	Pulley - 10Z	4
17	59374158	Spring Washer - BD10	30
18	58874193	Pulley - 10Z	8
19	A469 3164	Bin Solenoid Lever	10
20	59374161	Cushion - Turn Lever	10
21	A469 3090	Relay Guide Plate	1
22	A4693170	Bin Solenoid Bracket	1
23	AX11 0013	Bin Solenoid	10
24	AA04 3043	Timing Belt - 320XL	1
25	58874185	Idler Pulley	6
26	A4693175	Idle Pulley Stud - Short	5
27	58874166	Return Spring - Turn Pawl	10
28	A469 4523	Rear Holder - Sorting Bin	1
29	A469 4262	Grounding Plate - Antistatic Brush	1
30	A4695130	Bin Solenoid Board	1
31	A4693180	Idle Pulley Bracket	1
32	A4693182	Idle Pulley Shaft	1
33	58872250	Pulley -172	1
34	AW02 0013	Inlet Sensor	1
35	A4693190	Drive Pulley Bracket	1



Index No.	Part No.	Description	Q'ty Per Assembly
36	A4693195	Tightener Pulley	1
37	A469 3210	Tightener Pulley -10Z	1
38	A469 3280	Board Support Bracket - Short	4
39	A4693100	Left Guide Plate - Transport	1
40	A469 3400	Right Transport Guide Plate	1
41	A469 3420	Pressure Roller - Vertical Transport	15
42	A469 3415	Link Bracket	2
43	A4693134	Upper Vertical Transport Roller	1
44	54181709	Bushing - Lens Shaft	1
45	A4693130	Lower Vertical Transport Roller	1
46	A4693133	Misfeed Removal Knob	1
47	AB030156	Pulley -142	20
48	AB030157	Pulley -122	1
49	A4693142	Idle Pulley Stud - Long	1
50	A4693125	Flange - Transport Roller Pulley	1
51	A4693109	Lower Entrance Guide Plate	1
52	A469 3113	Rubber Seal - 1x6x10mm 1mm <del>1443114</del> → 58873242	1
53	A469 3115	Upper Entrance Guide Plate	1
54	54082035	Stepped Screw - M4	1
55	52062686	Snap Ring	1
56	A4693120	Bracket - Driven Unit Lever 3	1
57	A469 3365	Driven Unit Lever	2
58	58874350	Spring - Return Lever	2
59	A469 3300	Distribution Driven Unit	1
60	A469 3340	Transport Roller - Driven Unit	6
61	A4693330	Relay Guide Plate - Driven Unit	1
62	58874155	Shaft Guide - Turn Driven	12
63	58874156	Spring - Driven Roller	12
64	A469 3350	Guide Stud	2
65	A469 3310	Bin Entrance Guide Plate	1
66	A469 3320	Large Guide Plate - Driven Unit	1
67	A469 3315	Small Guide Plate - Driven Unit	3
68	A469 3345	Guide Roller Stud	1
69	58874400	Guide Roller - Driven Unit	1
70	A469 3305	Driven Link Bracket	2

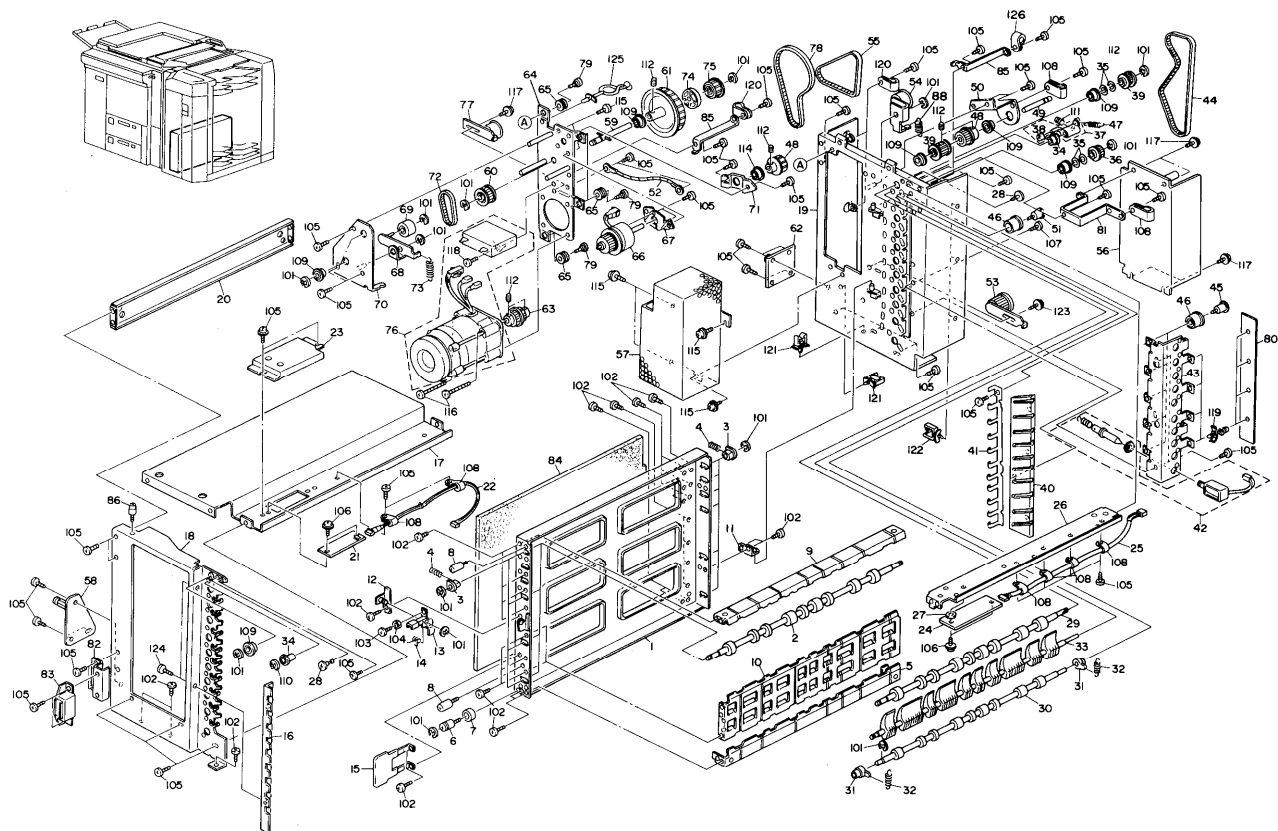
Index No.	Part No.	Description	Q'ty Per Assembly
71	A469 3360	Driven Unit Lever Bracket	1
72	A4693380	Driven Unit Handle	1
73	A469 4260	Position Actuator Plate - Staple Unit	1
74	A469 1178	Switch Cover Front Left Door	1
75	A469 1280	Magnet Catch Bracket	1
76	50540536	Magnet Catch Ass'y	1
77	A4693132	Middle Vertical Transport Roller	1
78	AA04 3077	Timing Belt - 250XL	1
79	AA06 0213	Tension Spring	1
80	A4695105	Main Board	1
	A4695100	X/o MB20	1
81	A4695111	Main Board Bracket	1
82	A4693145	Tightener Pulley - 10Z	1
83	A469 3303	Upper Noise Insulating Pad	1
84	53965025	Board Support Bracket - Long	2
85	A469 5405	DC Harness	1
86	A469 5470	Optical Fiber Cable	1



Index No.	Part No.	Description	Q'ty Per Assembly
101	0434 0060B	Philips Tapping Screw - M4x6	
102	03140060W	Philips Pan Head Screw - M4x6	
103	0964 4008B	Tapping Screw With Flat Washer - M4x8	
103	0964 4080B	Tapping Screw With Flat Washer M4x80 X/o MB2	
104	11050008	Nylon Clip - 2N	
105	08053145	Ball Bearing - 6x12x4mm	
106	0720 0040E	Retaining Ring - M4	
107	0720 0030E	Retaining Ring - M3	
108	0574 0040E	Hexagon Headless Set Screw - M4x4	
109	0573 0040E	Hexagon Headless Set Screw - M3x4	
110	11050161	Locking Support	
111	08074053	Spacer - 6.2mmx9.5mmx0.1 mm	
112	031 40040W	Philips Pan Head Screw - M4x4	
113	0701 0040B	Fiat Washer - M4	
114	0951 4006W	Philips Screw With Fiat Washer - M4x6	
115	03140060B	Philips Pan Head Screw - M4x6	
116	0344 0060F	Philips Truss Head Screw - M4x6	
117	0632 0120G	Parallel Pin - 2X12	
118	0313 0120W	Philips Pan Head Screw - M3x12 Q'ty n -> n-1 MB13	
119	0710 0030W	Hexagon Nut - M3	
120	11050271	Spacer	
121	0964 4006B	Tapping Screw With Flat Washer - M4x6	
122	11050106	Wire Saddle	
123	11050144	Harness Clamp	
124	11050009	Nylon Clip - 5N	
	11050016	Nylon Clip - 4N x/o MB17	
125	03130060B	Philips Pan Head Screw - M3x6	
126	03130080W	Philips Pan Head Screw - M3x8 MB13 (Added)	

## 4. LOWER DISTRIBUTION (A469)

September 25,'90



#### 4. LOWER DISTRIBUTION (A469)

September 25,'90

Index No.	Part No.	Description	Qty Per Assembly
1	A4693300	Distribution Driven Unit	1
2	A469 3340	Transport Roller - Driven Unit	4
3	58874155	Shaft Guide - Turn Driven	8
4	58874156	Spring - Driven Roller	8
5	A469 3315	Small Guide Plate - Driven Unit	1
6	A469 3345	Guide Roller Stud	1
7	58874400	Guide Roller - Driven Unit	1
8	A469 3350	Guide Stud	2
9	A4693310	Bin Entrance Guide Plate	1
10	A469 3320	Large Guide Plate - Driven Unit	3
11	A4693305	Driven Link Bracket	2
12	A469 3360	Driven Unit Lever Bracket	1
13	A469 3365	Driven Unit Lever	1
14	58874350	Spring - Return Lever	1
15	A4693380	Driven Unit Handle	1
16	A469 4260	Position Actuator Plate - Staple Unit	1
17	A4693470	Bracket - Receiver Sensor Board	1
18	A469 3450	Front Guide - Lower Distribution	1
19	A469 3455	Rear Guide - Lower Distribution	1
20	<b>A469 3070</b>	Stay Plate - Distribution	1
21	58875623	Receiver Sensor Board	1
22	<b>A469 5430</b>	Harness - Receiver Sensor Board	1
23	<b>A469 3480</b>	Cover - Receiver Sensor Board	1
24	58875633	Light Sensor Board	1
25	A469 5435	Harness - Light Sensor Board	1
26	A469 3461	Bracket - Light Sensor Board	1
27	H000 3277	Spacer - 4x8x3.5mm	2
28	A469 3077	Stopper Screw	2
29	<b>A469 3150</b>	Bin Transport Roller	11
30	<b>A4693155</b>	Bin Exit Roller	11
31	AA08 0054	Bushing - 6x8x9mm	22
32	54092525	Spring - Registration Link	22
33	A469 3160	Bin Gate	11
34	58402416	Bushing - Pinch Roller	22
35	59374158	Spring Washer - BD10	1

Index No.	Part No.	Description	Qty Per Assembly
36	58874193	Pulley - 10Z	9
37	A4693164	Bin Solenoid Lever	11
38	59374161	Cushion - Turn Lever	11
39	58874190	Pulley -10Z	3
40	A469 4523	Rear Holder - Sorting Bin	1
41	A469 4262	Grounding Plate - Antistatic Brush	1
42	AX110013	Bin Solenoid	10
43	A4693170	Bin Solenoid Bracket	1
44	AA04 3078	Timing Belt - 340XL	1
45	A4693175	Idle Pulley Stud - Short	5
46	58874185	Idler Pulley	6
47	58874166	Return Spring - Turn Pawl	11
48	58872250	Pulley - 17Z	2
49	A4693192	Drive Pulley Shaft	1
50	A4693190	Drive Pulley Bracket	1
51	58874195	Stopper Screw	1
52	A469 5465	Grounding Wire	1
53	58874180	Tension Idler - TurnPawl	1
54	A469 3462	Tightener Pulley	1
55	AA04 3076	Timing Belt - 140XL	1
56	AZ22 0008	Power Supply Unit - 115V	1
56	AZ22 0009	Power Supply Unit - 220/240V	1
57	A469 1672	Main Motor Cover	1
	A469 1670	0/0 MB5	1
58	A469 1161	Front Connector Bracket	1
59	A469 1470	Driving Shaft	1
60	58872150	Pulley -17Z	1
61	58872136	Pulley -40Z	1
62	<del>A469 1164</del>	<del>Rear Connector Bracket</del>	1
63	58872120	Coupled Pulley - 152/18Z	1
64	A469 1450	Main Motor Bracket	1
65	59372114	Bushing - Driving Side Plate	4
66	A469 5220	Distribution Drive Clutch	1
67	A469 1466	Front Bracket - Drive Clutch	1
68	A469 1460	Clutch Tightener	1

*A4691166 MB#29*

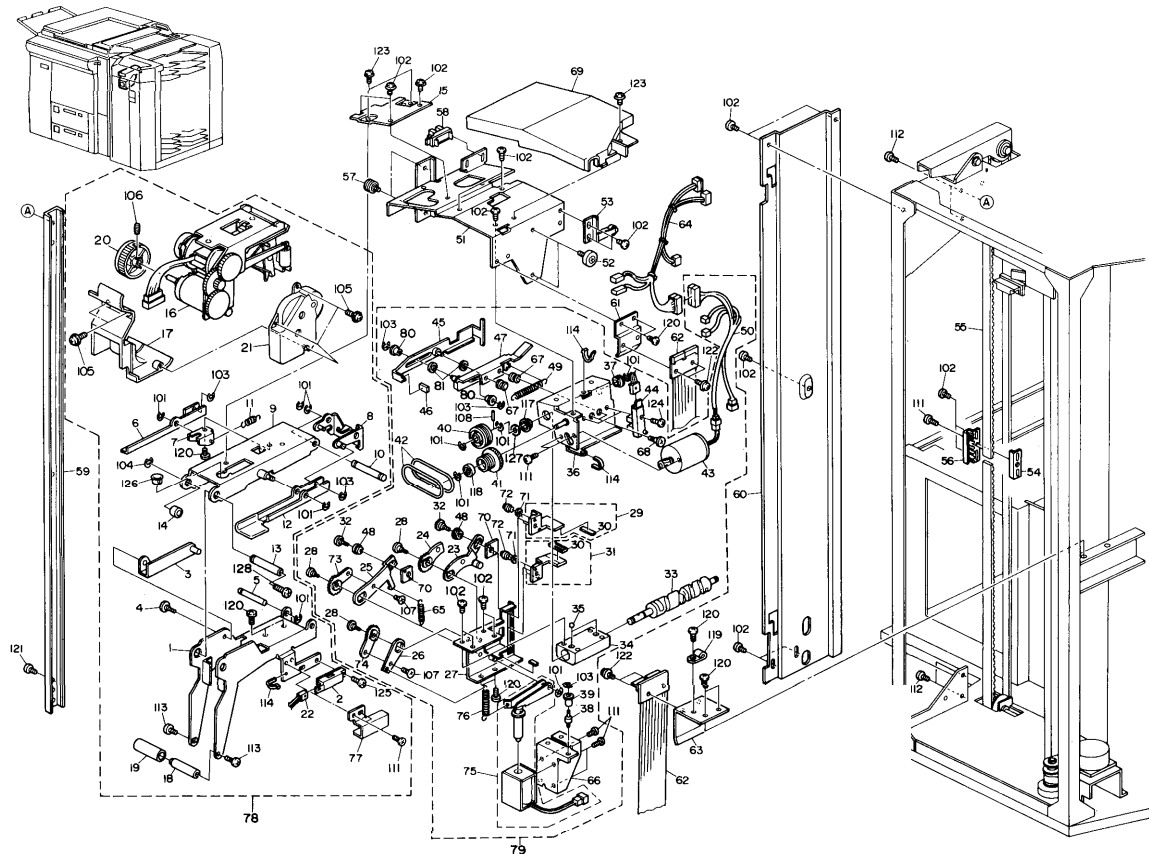
Index No.	Part No.	Description	Qty Per Assembly
69	58861066	Tension Pulley	1
70	A469 1455	Driving Support Bracket	1
71	<b>A469 1465</b>	Rear Bracket - Drive Clutch	1
72	AA04 3073	Timing Belt - 64XL	1
73	<b>AA06 0213</b>	Tension Spring	1
74	A469 1475	Spacer - 6x25x6mm	1
75	58872138	Pulley - 14Z	1
76	AX02 0046	Main Motor - AC 41W	1
77	A469 1465	Idle Pulley	1
78	58872340	Timing Belt - <b>166XL</b>	1
79	54036246	Stepped Screw - Cleaning	4
60	A4695130	Bin Solenoid Board	1
81	A469 3465	Bracket - Power Supply Unit	2
82	A469 1280	Magnet Catch Bracket	1
83	50540536	Magnet Catch Ass'y	1
84	A469 3304	Lower Noise Insulating Pad	1
65	53965025	Board Support Bracket - Long	1
66	54133903	Pin - Transfer Guide Plate	1
87	A469 1668	Cover - Power Supply Unit -220/240V	1
88	AA06 0269	Tightener Pulley Spring MB8 (Added)	1



Index No.	Part No.	Description	Qty Per Assembly
101	0720 0040E	Retaining Ring - M4	
102	03140060W	Philips Pan Head Screw - M4x6	
103	03130120W	Philips Pan Head Screw -M3x12	
104	0710 0030W	Hexagon Nut - M3	
105	04340060B	Philips Tapping Screw - M4x6	
106	0964 4008B	Tapping Screw With Flat Washer - M4x8	
107	0434 0080B	Philips Tapping Screw - M4x8	
108	11050008	Nylon Clip - 2N	
109	08053145	Ball Bearing - 6x12x4mm	
110	0720 0030E	Retaining Ring - M3	
111	0573 0040E	Hexagon Headless Set Screw - M3x4	
112	0574 0040E	Hexagon Headless Set Screw - M4x4	
113	03130050B	Philips Pan Head Screw - M3x5	
114	08053260	Ball Bearing - 15x17x5mm	
115	03140060B	Philips Pan Head Screw - M4x6	
116	03150400B	Philips Pan Head Screw - M5x40	
117	0951 4006B	Philips Screw with Flat Washer - M4x6	
118	0314 0100B	Philips Pan Head Screw - M4x10	
119	11050161	Locking Support	
120	11050005	Nylon Clip - 3N Qty n -> n-1 MB17	
121	11050106	Wire Saddle	
122	11050144	Harness Clamp	
123	0951 4008B	Philips Screw With Flat Washer - M4x8	
124	0313 0060B	Philips Pan Head Screw - M3x6	
125	11040401	Cable Clip - 16mm	
126	11050009	Nylon Clip - 5N MB17 (Added)	

# 5. STAPLE UNIT (A469)

September 25,'90





## 5. STAPLE UNIT (A469)

September 25,'90

nd ex No.	Part No.	Description	Q'ty Per Assembly
1	A469 4301	Stapler Bracket	1
2	A010 5700	Sensor	1
3	A469 4331	Joint Lever	1
4	54131882	Stepped Screw	1
5	A469 4347	Stapler Bracket Shaft	1
6	A469 4341	Stapler Lock/Release Link	1
7	A469 4316	Spring Anchor Bracket	1
8	A469 4325	Stapler Release Arm	1
9	A469 4311	Stapler Fixed Bracket	1
10	A469 4346	Shaft - Stapler Release Arm	1
11	AA06 0222	Spring - Stapler Release Arm	1
12	A469 4321	Stapler Release Lever	1
13	A469 4348	Shaft - Stapler Fixed Bracket	1
	A469 4345	X/x MB4	1
14	A469 4342	Spacer - 8.1x12x9mm	1
15	A469 4355	Adjusting Plate - Staple Position	1
16	AJ01 1001	Stapler	1
17	A469 4361	Staple Motor Cover	1
18	A469 4303	Shaft - Stapler Release Handle	1
19	A469 4304	Stapler Release Handle	1
20	A469 4365	Stapler Knob	1
21	A469 4362	Cover - Stapler Drive Section	1
22	A469 5425	Paper Size Sensor Harness	1
23	A469 4481	Upper Arm Link	1
24	A469 4490	Upper Arm Cam	1
25	A469 4485	Lower Arm Link	1
26	A469 4487	Middle Arm Link	1
27	A469 4406	Arm Side Plate	1
28	AA143201	Stepped Screw	3
29	A469 4421	Upper Arm	1
30	A469 4423	Rubber Seal - 1.5x6.5x22mm	2
31	A469 4425	Lower Arm	1
32	AA143200	Stepped Screw	2
33	A469 4431	Spiral Shaft	1
34	A469 4433	Gripper Drive Bracket	1

ndex No.	Part No.	Description	Q'ty Per Assembly
35	A469 4435	Gripper Drive	2
36	A469 4442	Gripper Side Plate	1
37	50530447	Bushing - M6	1
38	A469 4475	Shaft Gripper Drive Guide	1
	A469 4474	x/o MB4	1
39	AA08 0074	Bushing - 4x4x6	1
	58402416	Bushing - Pinch Roller x/o MB19	1
40	AB03 2023	Pulley	1
41	A469 4448	Gripper Drive Gear	1
42	AA04 1007	Rubber Belt	2
43	AX04 0028	Dc Motor -DC 4.7W	1
44	AW02 0014	Photo Sensor	2
45	A469 4463	Gripper Push Lever	1
46	A469 4467	Pad - 3x8x10mm	1
47	A469 4456	Gripper Push Guide	1
48	A469 4465	Reverse Roller	2
		Q'ty 4->2 MB12	2
49	AA06 0220	Spring - Paper Reverse	1
50	A469 5420	Gripper Harness	1
51	A469 4086	Staple Unit Bracket	1
52	A469 4096	Right Guide Roller	2
53	A4694125	Staple Unit Arm	1
54	A469 4082	Lower Belt Clamp	1
55	AA04 3044	Timing Belt - 377XL	1
56	A469 4081	Upper Belt Clamp	1
57	A469 4095	Left Guid Roller	2
58	AW02 0006	Photointerruptor - EE-SX460-P2	1
59	A469 4075	Left Rail - Staple Unit	1
60	A469 1395	Inner Cover - Staple Unit	1
61	A469 4098	Left Bracket - Staple Unit Harness	1
62	A469 5300	Staple Unit Harness	1
63	A469 4059	Right Bracket - Staple Unit Harness	1
64	A469 5415	Stapler Harness	1
65	A469 4499	Spring - Arm Link	1
66	A469 4472	Gripper Solenoid Bracket	1

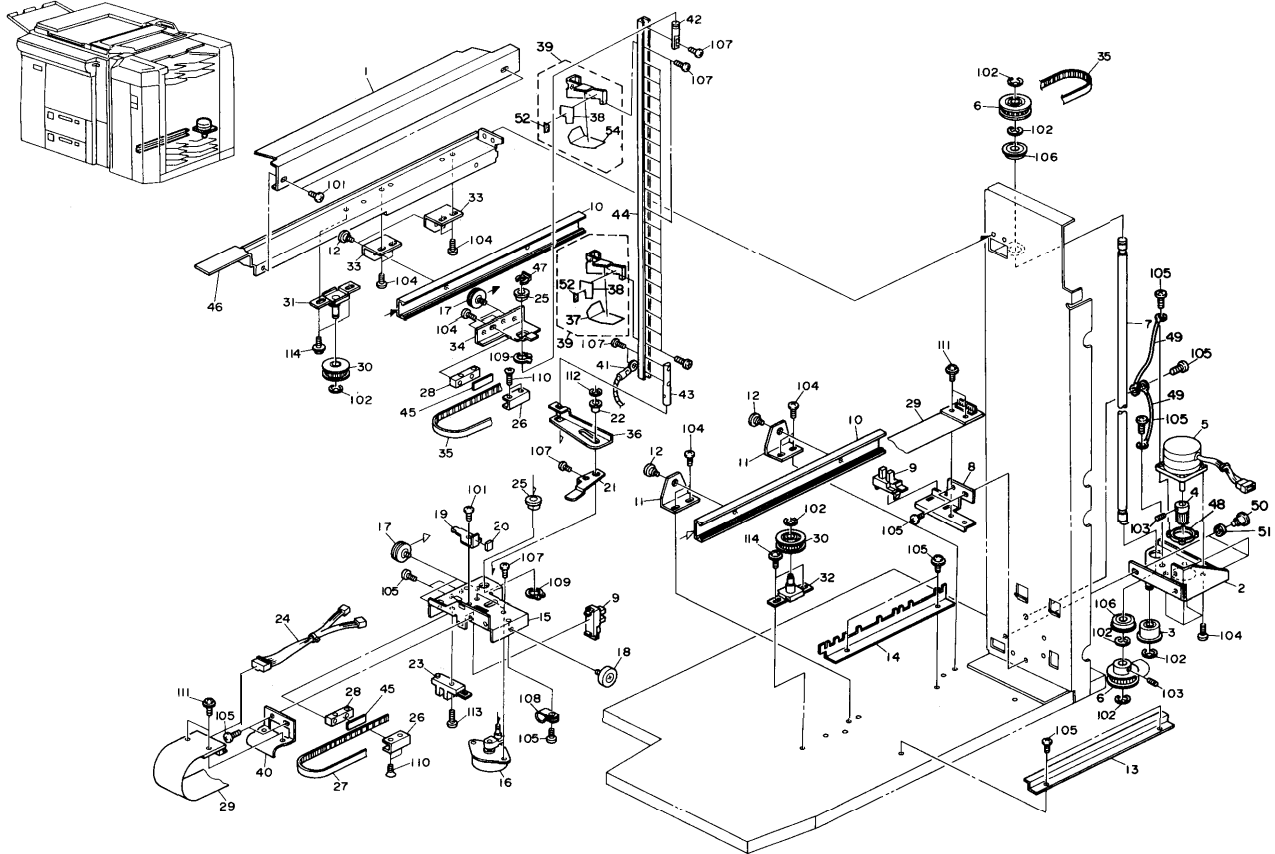
Index No.	Part No.	Description	Q'ty Per Assembly
67	59401198	Rubber Bushing	2
68	52164198	Stepped Screw - Guide Plate	2
69	A469 4108	Staple Unit Top Cover	1
70	A469 4496	Arm Support Bracket	2
71	A469 4497	Arm Roller	4
72	A469 4498	Arm Roller Shaft	4
73	A469 4491	Lower Arm Cam	1
74	A469 4492	Middle Arm Cam	1
75	A469 4476	Gripper Solenoid Ass'y	1
76	AA06 0221	Gripper Solenoid Spring	1
77	A469 1666	Paper Sensor Cover	1
78	A469 4025	Stapler Ass'y	1
		MB10 (Added)	
79	A469 4030	Gripper Ass'y	1
		MB10 (Added)	
80	A469 4469	Reverse Roller - M4	2
		MB12 (Added)	
81	A469 4468	Nylon Washer - 4.2x10x1	2
		MB12 (Added)	



Index No.	Part No.	Description	Q'ty Per Assembly
101	0720 0040E	Retaining Ring - M4	
102	0314 0060W	Philips Pan Head Screw - M4x6	
103	0720 0030E	Retaining Ring - M3	
104	0720 0060E	Retaining Ring - M6	
105	0951 3006W	Philips Screw with Flat Washer - M3x6	
106	0573 0060E	Hexagon Headless Set Screw - M3x6	
107	0323 0050B	Screw - M3x5	
108	0632 0120G	Parallel Pin 2x12	
109	03130050B	Philips Pan Head Screw - M3x5	
110	08073014	Nylon Washer MB12 (OBS)	
111	03130050W	Philips Pan Head Screw - M3x5	
112	03140040W	Philips Pan Head Screw - M4x4	
113	0951 4006W	Philips Screw With Flat Washer - M4x6	
114	11050046	TY - Wrap	
115	0314 0060B	Philips Pan Head Screw - M4x6	
116	0314 0120B	Philips Pan Head Screw - M4x12	
117	08053145	Ball Bearing - 6x12x4mm	
118	08053032	Ball Bearing - 6x15x5	
119	11050009	Nylon Clip - 5N	
	11050016	Nylon Clip - 4N x/o MB17	
120	0434 0060B	Philips Tapping Screw - M4x6	
121	03140080W	Philips Pan Head Screw - M4x8	
122	0951 3006B	Philips Screw with Flat Washer - M3x6	
123	0951 4008W	Philips Screw with Flat Washer - M4x8	
124	0434 0120B	Tapping Screw - M4x12	
125	0313 0100B	Philips Pan Head Screw - M3x10	
126	11060193	Bushing - 7.9mm	
127	08074065	Washer - 6.2x12x0.6	
128	0344 0060F	Philips Truss Head Screw - M4x6	
		MB14 (Added)	

# 6. JOGGER (A469)

September 25, '90



## 6. JOGGER (A469)

September 25,'90

ndex No.	Part No.	Description	Q'ty Per Assembly
1	A469 1396	Upper Jog Cover	1
2	A4694156	Bracket - Side Plate Motor	1
3	A4694159	Idle Pulley	1
4	AB03 0026	Pulley - 20Z	1
5	AX04 0026	Side Plate Motor	1
6	AB030159	Pulley - 32Z	2
7	A469 4168	Side Plate Drive Shaft	1
8	A4694165	Bracket - Jog Home Position Sensor	1
9	AW02 0006	Photointerruptor - EE-SX460-P2	1
10	A469 4243	Jog Rail	2
11	A469 4256	Bracket - Lower Jog Rail	2
12	AA143202	Stepped Screw	4
13	A469 4259	Roller Guide Plate	1
14	A469 4258	Position Actuator Plate	1
15	A469 4202	Jog Motor Bracket	1
16	AX04 0027	Jog Motor <i>2 AX04 0027 X MB3</i>	1
17	A469 4095	Left Guide Roller	4
18	A4694096	Right Guide Roller	1
19	A469 4206	Jog Unit Stopper	1
20	A469 4467	Pad - 3x8x10 mm	1
21	A469 4214	Jog Motor Actuator	1
22	58402416	Bushing - Pinch Roller	1
23	52055251	LED Sensor Type - T	1
24	A469 5410	Jogger Harness	1
25	AA08 2012	Bushing - 8 mm	2
26	A469 4210	Jog Belt Clamp	2
27	AA04 3045	Timing Belt - 464XL	1
28	A469 4211	Belt Clamp Block	2
29	A469 5310	Jog Harness	1
30	AB03 0161	Pulley - 32Z	2
31	A469 4246	Bracket - Upper Idle Pulley	1
32	A469 4252	Bracket - Lower Idle Pulley	1
33	A469 4244	Bracket - Upper Jog Rail	2
34	A469 4236	Guide Bracket - Jog Unit	1
35	AA04 3046	Timing Belt - 419XL	1

Index No.	Part No.	Description	Q'ty Per Assembly
36	A469 4221	Jog Lever	1
37	A469 4229	Mylar Seal - Exit Guide	18
	A469 4227	X/o MB3	18
38	A469 4228	Mylar Seal - Support	20
39	A469 4225	Side Plate	18
40	A469 4205	Jog Harness Bracket	1
41	A4695460	Grounding Wire - Jog Unit	1
42	A469 4216	Upper Jog Shaft	1
43	A469 4217	Lower Jog Shaft	1
44	A469 4222	Side Plate Bracket	1
45	A469 4212	Belt Clamp Spacer	2
46	A469 4242	Upper Stay - Staple Unit	1
47	52062686	Snap Ring	1
48	A469 5350	Motor Damper	1
		MB1	
49	A469 5465	Grounding Wire	2
		MB1	
50	54036246	Stepped Screw - Cleaning	3
		MB1	
51	59372114	Bushing - Driving Side Plate	3
		MB1	
52	A469 4510	Side Plate Pad	20
		MB2	
53	A469 4224	Side Plate - 1st, 11th	2
		MB2	
54	A469 4230	Mylar Seal - Exit Guide	2
	A469 4229	X/o MB3	2
		MB2 (Added)	2

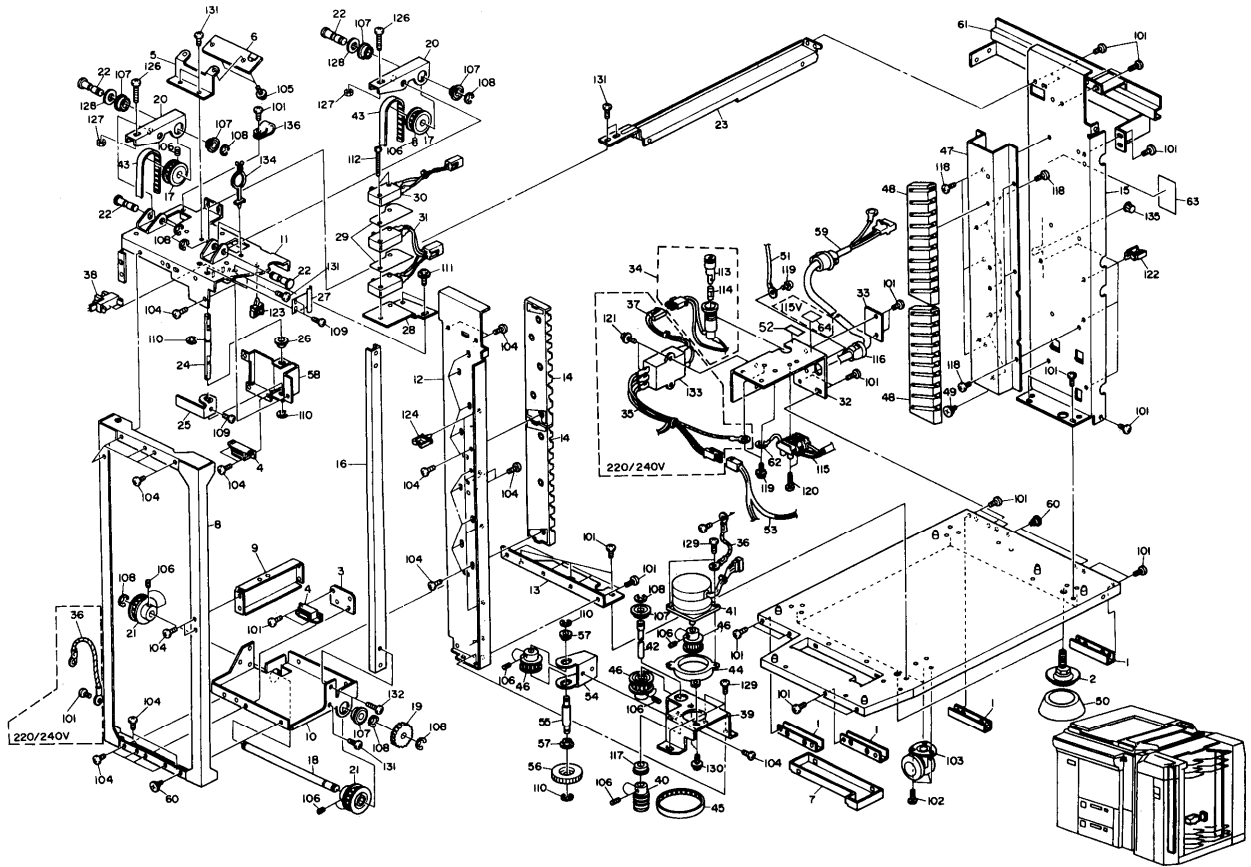


Index No.	Part No.	Description	Qty Per Assembly
101	0314 0060W	Philips Pan Head Screw - M4x6	
102	0720 0060E	Retaining Ring - M6	
103	0574 0060E	Hexagon Headless Set Screw - M4x6	
104	03140060B	Philips Pan Head Screw - M4x6	
105	0434 0060B	Philips Tapping Screw - M4x6	
106	08053291	Ball Bearing - 8x16x5mm	
107	03130050W	Philips Pan Head Screw - M3x5	
108	11050016	Nylon Clip - 4N	
109	07250100E	Retaining Ring C -M10	
110	0323 0050B	Screw - M3x5	
111	0951 3006B	Philips Screw with Flat Washer - M3x6	
112	07200030E	Retaining Ring - M3	
113	0314 0100W	Philips Pan Head Screw - M4x10	
114	0951 0060B	Philips Screw With Flat Washer - M3x6	

Index No.	Part No.	Description	Qty Per Assembly

# 7. STAPLER VERTICAL DRIVE (A469)

September 25,'90



**7. STAPLER VERTICAL DRIVE (A469)**

September 25,'90

ndex No.	Part No.	Description	Q'ty Per Assembly
1	A469 1107	Hand Grip - Staple Unit	4
2	54241064	Screw Stand	2
3	A469 1298	Lower Magnet Catch Bracket - Staple	1
4	50540536	Magnet Catch Ass'y	2
5	A469 1268	Indicator Board Bracket	1
6	A4695150	Indicator Board	1
7	A469 4265	Base Cover	1
8	A469 4051	Staple Unit Frame	1
9	A469 4058	Front Stay - Staple	1
10	A469 4062	Lower Support Plate - Rail	1
11	A469 4065	Upper Support Plate - Rail	1
12	A469 4055	Front Side Plate - Staple Unit	1
13	A469 4056	Front Support Plate - Staple Unit	1
14	A469 4522	Front Holder - Sorting Bin	2
15	A469 4151	Rear Side Plate - Staple Unit	1
16	A469 4076	Right Rail - Staple Unit	1
17	AB030165	Pulley - 16Z	1
18	A4694101	Stapler Drive Shaft	1
19	A4694104	Gear - 25Z	1
20	A469 4071	Pulley Bracket	2
21	AB030163	Pulley - 16Z	2
22	A469 4072	Pulley Shaft	4
23	A469 4242	Upper Stay - Staple Unit	1
24	A469 1182	Arm Shaft - Front Right Door Switch	1
25	A469 1184	Lever - Front Right Door	1
26	52031852	Bushing - 6x8x4mm	1
27	A469 1186	Arm - Front Right Door Switch	1
28	A469 5211	Bracket - Front Right Door Switch	1
29	A469 5215	Insulating Sheet - Switch	2
30	A469 5212	Upper Switch - Front Right Door	1
31	A469 5213	Lower Switch - Front Right Door	1
32	A469 1108	Bracket - Power Supply Cord	1
33	A469 1109	Cover - Interface Harness	1
34	A469 5230	Fuse Ass'y - 115V	1
34	A469 5231	Fuse Ass'y - 220/240V	1

ndex No.	Part No.	Description	Q'ty Per Assembly
35	A469 5442	Harness - Noise Filter - Eu	1
36	A469 5465	Grounding Wire	2
37	A469 5450	AC Intermediate Harness	1
38	AW02 0006	Photointerruptor - EE-SX460-P2	1
39	A4694112	Bracket - Staple Unit Motor	1
40	A4694103	Worm Gear - 2Z	1
41	AX04 0025	Staple Unit Motor	1
42	A4694116	Pulley Shaft	1
43	AA04 3044	Timing Belt -377XL	1
44	A469 5350	Motor Damper	1
45	AA04 3080	Timing Belt -106XL	1
46	AB030167	Pulley - 32Z	3
47	A469 4161	Rear Holder Bracket - Sorting Bin	1
48	A469 4523	Rear Holder - Sorting Bin	2
49	51631474	Stepped Screw - M4	1
50	54461086	Leveling Foot Guide	2
51	59375780	Grounding Wire	1
52	A469 5830	Decal - 4A/125V	1
52	A469 5831	Decal - T4A/250V	1
53	A469 5400	AC Harness	1
54	<b>A469 4117</b>	Knob Bracket - Staple Unit Motor	1
55	A4694118	Knob Shaft - Staple Unit Motor	1
56	A4694119	Knob - Staple Unit Motor	1
57	50530447	Bushing - M6	2
58	A469 1108	Bracket - Power Supply Cord	1
59	59375711	Power Supply Cord - 115V	1
59	59375710	Power Supply Cord - 220/240V	1
60	51631474	Stepped Screw - M4	3
61	A469 1662	Rear Cover Bracket	1
62	A469 5455	Grounding Wire - 220/240V	1
63	A469 6052	Decal - DIP Switch	1
64	54484973	Decal - English	1



Index No.	Part No.	Description	Q'ty Per Assembly
101	0434 0060B	Philips Tapping Screw - M4x6	
102	0315 0080W	Philips Pan Head Screw - M5x8	
103	08055003	Caster	
104	0314 0060W	Philips Pan Head Screw - M4x6	
105	0964 3005B	Tapping Screw With Flat Washer M3x5	
106	0574 0060E	Hexagon Headless Set Screw - M4x6	
107	0805 3291	Ball Bearing - 8x16x5mm	
108	0720 0060E	Retaining Ring -M6	
109	03130050W	Philips Pan Head Screw - M3x5	
110	0720 0040E	Retaining Ring - M4	
111	0964 4006B	Tapping Screw With Flat Washer - M4x6	
112	03130400W	Philips Pan Head Screw - M3x40	
113	11040438	Fuse Case	
114	11070390	Fuse - 4A 125V	
114	11070458	Fuse - 4A 250V	
115	11010359	Terminal - 3P	
116	11060101	Cord Stopper	
117	08053145	Ball Bearing - 6x12x4mm	
118	03140060B	Philips Pan Head Screw - M4x6	
119	08011185	Philips Truss Head Screw - M4x8	
120	0433 0140B	Tapping Screw - M3x14	
121	0433 0080B	Philips Screw - M3x8	
122	11050108	Nylon Clip	
123	11050106	Wire Saddle	
124	11050005	Nylon Clip - 3N	
		Q'ty n->n-1 MB17	
125	11050144	Harness Clamp	
126	03150350B	Philips Pan Head Screw -M5x35	
127	0710 0050B	Hexagon Nut - M5	
128	0701 0080B	Flat Washer - M8	
129	0314 0080W	Philips Pan Head Screw - M4x8	
130	0951 4006W	Philips Screw With Flat Washer - M4x6	
131	0314 0040W	Philips Pan Head Screw - M4x4	
132	0314 0140W	Philips Pan Head Screw - M4x14	
133	16020950	Noise Filter	

Index No.	Part No.	Description	Q'ty Per Assembly
134	11040401	Cable Clip - 16mm	
135	11060193	Bushing - 7.9mm	
136	11050016	Nylon Clip - 4N MB17 (Added)	





CONNECTOR

SYMBOL NO.	INDEX NO.
CN100	103
CN110	104
CN120	102
CN130	105
CN140	107
CN150	108
CN155	106
CN160	109
CN170	2
CN175	3

CAPACITOR

SYMBOL NO.	INDEX NO.
CN180	2
CN185	3

SYMBOL NO.	INDEX NO.
C100	159
C101	157
C102	157
C103	157
C104	157
C105	158
C106	158
C107	158
C108	158
C109	158

SYMBOL NO.	INDEX NO.
C110	162
C111	155
C112	155
C113	160
C114	156
C115	162
C116	162
C117	162
C118	162
C119	162

SYMBOL NO.	INDEX NO.
C120	162
C121	162
C122	162
C123	162
C124	162
C125	162
C126	162
C127	162
C128	162
C129	162

SYMBOL NO.	INDEX NO.
C130	162
C131	162
C132	162
C133	162
C134	162
C135	162
C136	162
C137	162
C138	162
C139	162

SYMBOL NO.	INDEX NO.
C140	162
C141	162
C142	162
C143	162
C144	162
C145	162
C146	162
C147	162
C148	162
C149	161

SYMBOL NO.	INDEX NO.
C150	162
C151	161
C152	162
C153	162
C154	162
C155	162
C156	162
C157	162
C158	162
C159	162

SYMBOL NO.	INDEX NO.
C160	162
C161	162
C162	162
C163	162
C164	162
C165	162
C166	162
C167	162
C168	162
C169	162

DIP SW.

SYMBOL NO.	INDEX NO.
C180	162
C181	162
C182	162
C183	162
C184	160

SYMBOL NO.	INDEX NO.
DPS100	111

DIODE

SYMBOL NO.	INDEX NO.
D100	121
D101	121
D102	121
D103	121
D104	121
D105	121
D106	121
D107	121

IC

SYMBOL NO.	INDEX NO.
IC100	147
IC101	125
IC102	128
IC103	141
IC104	144
IC106	133
IC107	146
IC108	140
IC109	146

SYMBOL NO.	INDEX NO.
IC110	137
IC111	137
IC112	140
IC113	136
IC114	129
IC115	126
IC116	130
IC117	145
IC118	126
IC119	128

SYMBOL NO.	INDEX NO.
IC120	124
IC121	143
IC122	142
IC123	127
IC124	132
IC125	1
IC126	110
IC127	131
IC128	128
IC129	132

SYMBOL NO.	INDEX NO.
IC129	134
IC130	142
IC131	138
IC132	132
IC133	135
IC134	136
IC135	136
IC136	136

PHOTOHYRISTOR

SYMBOL NO.	INDEX NO.
PC107	122

L. E. D

SYMBOL NO.	INDEX NO.
LED100	123
LED101	123
LED102	123
LED103	123

OSCILLATOR

SYMBOL NO.	INDEX NO.
OSC100	148

RESISTOR ARRAY

SYMBOL NO.	INDEX NO.
RAY100	152
RAY101	151
RAY102	153
RAY103	153

SSR

SYMBOL NO.	INDEX NO.
SSR100	112

TEST PIN

SYMBOL NO.	INDEX NO.
TP100	101
TP101	101
TP100	101

VARIABLE RESISTOR

SYMBOL NO.	INDEX NO.
VR100	154
VR101	154
VR102	154
VR103	154

ZENER DIODE

SYMBOL NO.	INDEX NO.
ZD100	120
ZD101	120

TRANSISTOR

SYMBOL NO.	INDEX NO.
Q100	118
Q101	119
Q102	114
Q103	113
Q104	113
Q105	116
Q106	115
Q107	115

RESISTOR

SYMBOL NO.	INDEX NO.
R100	149
R101	179
R102	176
R103	179
R104	176
R105	179
R106	176
R107	179
R108	176
R109	150

SYMBOL NO.	INDEX NO.
R110	180
R111	181
R112	177
R113	178
R114	150
R200	175
R201	175
R202	175
R203	175
R204	175

SYMBOL NO.	INDEX NO.
R205	175
R206	175
R207	175
R208	175
R209	175
R210	175
R211	175
R212	174
R213	173
R214	173

SYMBOL NO.	INDEX NO.
R215	173
R216	173
R217	173
R218	173
R219	173
R220	173
R221	173
R222	173
R223	173
R224	173

SYMBOL NO.	INDEX NO.
R225	173
R226	173
R227	173
R228	173
R229	173
R230	173
R231	173
R232	173
R233	173
R234	173

SYMBOL NO.	INDEX NO.
R235	173
R236	173
R237	173
R238	173
R239	173
R240	174
R241	173
R242	173
R243	173
R244	173

SYMBOL NO.	INDEX NO.
R245	173
R246	173
R247	247
R248	173
R249	173
R251	173
R252	173
R253	173
R254	173

SYMBOL NO.	INDEX NO.
R255	173
R256	173
R257	173
R258	173
R259	173
R260	173
R261	173
R262	173
R263	173
R264	173

SYMBOL NO.	INDEX NO.
R265	168
R266	174
R267	174
R268	174
R269	174
R270	173
R271	173
R272	173
R273	169
R274	170

SYMBOL NO.	INDEX NO.
R275	174
R276	163
R277	165
R278	172
R279	165
R280	165
R281	173
R282	172
R283	173
R284	173

SYMBOL NO.	INDEX NO.
R285	173
R286	173
R287	173
R288	173
R289	173
R290	173
R291	168
R292	168
R293	173
R294	173

SYMBOL NO.	INDEX NO.
R295	173
R296	173
R297	173
R298	173
R299	168
R300	168
R301	173
R302	173
R303	166
R309	168

SYMBOL NO.	INDEX NO.
R310	173
R311	173
R319	164
R320	167
R321	169
R322	174
R323	173
R324	173
R325	169
R326	173

SYMBOL NO.	INDEX NO.
R327	173
R328	169
R329	169
R330	173
R331	173
R332	169
R333	175
R334	171
R335	168
R336	173

SYMBOL NO.	INDEX NO.
R337	168
R338	173
R339	175
R340	173
R341	168
R342	173
R343	175
R344	175
R345	171
R346	171

SYMBOL NO.	INDEX NO.
R347	171
R348	168
R349	173

## 8. MAIN BOARD (A469)

April 30, '89

Index No.	Part No.	Description	Q'ty Per Assembly
*	A469 5100	Main Board	1
1	A469 5102	IC - HN27256G-25	1
2	5918 5711	Fiber Output Connector	1
3	5918 5712	Fiber Input Connector	1

Index No.	Part No.	Description	Q'ty Per Assembly
101	1101 0328	Connector Pin Contact	
102	1103 0402	Pin Header - 26P	
103	1103 0740	Connector - 6P	
104	1103 0750	Pin Housing - 2P	
105	1103 1488	Connector - 40P	
106	1103 1810	Pin Header - 2P (Brown)	
107	1103 1812	Pin Header - 4P	
108	1103 1816	Pin Header - 8P	
109	1103 1819	Connector	
110	1104 0271	LSI Socket - 28P	
111	1204 1481	DIP Switch	
112	1208 1258	Solid State Relay - AC240V	
113	1401 0200	Transistor - 2SD633	
114	1401 0234	Transistor - 2SD686	
115	1401 0296	Transistor - 2SA1162Y	
116	1401 0298	Transistor - 2SC2712YTE85L	
117	1401 0832	Diode - DSA1A1	
118	1401 0861	Transistor - 2SA1348	
119	1401 0862	Transistor - 2SC3402	
120	1402 0269	Zener Diode - RD39FC	
121	1402 0477	IC - 1SS187TE85	
122	1403 0238	Photocoupler - TLP521-1	
123	1403 0558	LED - SEL2110RTP3	
124	1407 1306	IC - SN74LS00	
125	1407 1307	IC - HD74LS02F	
126	1407 1309	IC - HD74LS04FD	
127	1407 1311	IC - HD74LS32FP	
128	1407 1314	IC - HD74LS74AFP	
129	1407 1318	IC - LS161	
130	1407 2073	IC - UPD78C10GF	
131	1407 2217	IC - MPD71054G	
132	1407 2231	IC - TD62308AF	
133	1407 2273	IC - TA8050P	
134	1407 2341	IC - MPD71051G	
135	1407 2667	IC - PD71055GB-3B4	

Index No.	Part No.	Description	Q'ty Per Assembly
136	1407 2825	IC - TD62384F	
137	1407 2858	IC - TD62601F	
138	1407 2859	IC - TD62603F	
140	1407 3053	IC - HD74LS153FP	
141	1407 3054	IC - HD74LS157FP	
142	1407 3055	IC - HD74LS158FP	
143	1407 3056	IC - HD74LS373FP	
144	1407 3057	IC - TD62602F	
145	1408 0408	IC - PST518A	
146	1408 0735	IC - HA17339F	
147	1408 0736	IC - STK6712B	
148	1503 0070	Ceramic Oscillator - 10MHz	
149	1600 1178	Resistor Array - 330OHM ±5% 1W	
150	1600 1354	Resistor Array - 1KOHM 1W	
151	1601 7351	Resistor Array - 3.3KOHM	
152	1601 7373	Resistor Array - 3.3KOHM	
153	1601 7374	Resistor Array - 4.7KOHM	
154	1601 8139	Variable Resistor - 50KOHM 0.5W	
155	1604 1362	Capacitor - 4.7µF 25V	
157	1604 1377	Capacitor - 10µF 50V	
158	1604 1382	Capacitor - 10µF 50V	
159	1604 1383	Capacitor - 22µF 50V	
160	1604 1386	Capacitor - 100MF 50V	
161	1605 0234	Capacitor - 220PF 50V	
162	1606 1452	Capacitor - 0.01µF 50V	
163	1610 0039	Resistor - 150OHM 1/8W ±5%	
164	1610 0046	Resistor - 300OHM 1/8W	
165	1610 0049	Resistor - 470OHM 1/8W ±5%	
166	1610 0051	Resistor - 680OHM 1/8W ±5%	
167	1610 0052	Resistor - 820OHM 1/8 ±5%	
168	1610 0053	Resistor - 1KOHM 1/8W ±5%	
169	1610 0055	Resistor - 1.2KOHM 1-8W ±5%	
170	1610 0061	Resistor - 2.2KOHM 1/8W ±5%	
171	1610 0064	Resistor - 3KOHM 1/8W ±5%	
172	1610 0065	Resistor - 3.3KOHM 1/8W ±5%	

Index No.	Part No.	Description	Q'ty Per Assembly
173	1610 0067	Resistor - 4.7KOHM 1/8W ±5%	
174	1610 0071	Resistor - 10KOHM ±5%	
175	1610 0079	Resistor - 22KOHM 1/8W ±5%	
176	1611 4102	Resistor - 1KOHM 1/4T ±5%	
177	1611 4272	Resistor - 2.7KOHM 1/4T ±5%	
178	1611 4472	Resistor - 4.7KOHM 1/4T ±5%	
179	1611 4473	Resistor - 47KOHM 1/4T ±5%	
180	1622 5490	Resistor Array - 5490OHM 1/4W ±1%	
181	1622 6801	Resistor - 6.8KOHM 1/4T ±1%	

## TRANSISTOR

SYMBOL NO.	INDEX NO.
Q251	102
Q252	102
Q253	103
Q254	103

## PHOTE TRANSISTOR

SYMBOL NO.	INDEX NO.
PH1	104
PH2	104

## DIODE

SYMBOL NO.	INDEX NO.
ZD251	105

## CONNECTOR

SYMBOL NO.	INDEX NO.
CN250	101

## CAPACITOR

SYMBOL NO.	INDEX NO.
C251	106
C252	106
C253	107
C254	108
C255	107
C256	108

## RESISTOR

SYMBOL NO.	INDEX NO.
R251	112
R252	109
R253	112
R254	115
R255	109
R256	110
R257	113
R258	110
R259	115
R260	113

SYMBOL NO.	INDEX NO.
R261	111
R262	113
R263	111
R264	114
R265	114

## 9. RECEIVER SENSOR BOARD (A469)

April 30, '89

Index No.	Part No.	Description	Q'ty Per Assembly
*	5887 5623	Receiver Sensor Board	1

Index No.	Part No.	Description	Q'ty Per Assembly
101	1102 1792	Connector - 4P	
102	1400 0045	Transistor - 2SC372	
103	1400 0236	Transistor - 2SK30A-GR	
104	1400 0323	Transistor - PN108	
105	1402 0481	Zener Diode - HZ18-2	
106	1604 1320	Capacitor - 10 $\mu$ F 50V	
107	1604 1321	Capacitor - 0.47 $\mu$ F 50V	
108	1606 0531	Capacitor - 0.01 $\mu$ F 50V	
109	1611 4102	Resistor - 1KOHM 1/4T $\pm$ 5%	
110	1611 4103	Resistor - 10KOHM 1/4T $\pm$ 5%	
111	1611 4105	Resistor - 1KOHM 1/4T $\pm$ 5%	
112	1611 4225	Resistor - 2.2KOHM 1/4T $\pm$ 5%	
113	1611 4471	Resistor - 470OHM 1/4T $\pm$ 5%	
114	1611 4472	Resistor - 4.7KOHM 1/4T $\pm$ 5%	
115	1611 4473	Resistor - 47KOHM 1/4T $\pm$ 5%	

# 10. LIGHT SENSOR BOARD (A469)

April 30, '89

## CAPACITOR

SYMBOL NO.	INDEX NO.
C270	108
C271	107
C272	108

## CONNECTOR

SYMBOL NO.	INDEX NO.
CN270	101

## IC

SYMBOL NO.	INDEX NO.
IC270	105

## LED

SYMBOL NO.	INDEX NO.
LED270	104
LED271	104
LED272	104
LED273	104

## TRANSISTOR

SYMBOL NO.	INDEX NO.
Q270	103
Q271	102

## RESISTOR

SYMBOL NO.	INDEX NO.
R270	106
R271	110
R272	112
R273	114
R274	111
R275	113
R276	109

## 10. LIGHT SENSOR BOARD (A469)

April 30, '89

Index No.	Part No.	Description	Q'ty Per Assembly
*	5887 5633	Light Sensor Board	1

Index No.	Part No.	Description	Q'ty Per Assembly
101	1102 1791	Connector - 3P	
102	1400 0113	Transistor - 2SA495GTMY	
103	1400 0284	Transistor - 2SD789D	
104	1403 0247	LED - LN51L	
105	1408 0124	IC - LM555CN	
106	1600 0549	Resistor - 820HM 2T ±10%	
107	1606 0531	Capacitor - 0.01µF 50V	
108	1606 0533	Capacitor - 0.01µF 50V	
109	1611 4154	Resistor - 150KOHM 1/4T ±5%	
110	1611 4182	Resistor - 1.8KOHM 1/4T	
111	1611 4223	Resistor - 22KOHM 1/4T ±5%	
112	1611 4473	Resistor - 47KOHM 1/4T ±5%	
113	1611 4563	Resistor - 56KOHM 1/4T ±5%	
114	1611 4152	Resistor - 1.5KOHM 1/4T ±5%	

## CONNECTOR

SYMBOL NO.	INDEX NO.	SYMBOL NO.	INDEX NO.	SYMBOL NO.	INDEX NO.	SYMBOL NO.	INDEX NO.	SYMBOL NO.	INDEX NO.	SYMBOL NO.	INDEX NO.
CN201	101	CN211	101	CN221	101	CN231	101	CN241	101	CN251	101
CN202	101	CN212	101	CN222	101	CN232	101	CN242	101	CN252	101
CN203	101	CN213	101	CN223	101	CN233	101	CN243	101	CN253	101
CN204	101	CN214	101	CN224	101	CN234	101	CN244	101	CN254	101
CN205	101	CN215	101	CN225	101	CN235	101	CN245	101	CN255	101
CN206	101	CN216	101	CN226	101	CN236	101	CN246	101	CN256	101
CN207	101	CN217	101	CN227	101	CN237	101	CN247	101	CN257	101
CN208	101	CN218	101	CN228	101	CN238	101	CN248	101	CN258	101
CN209	101	CN219	101	CN229	101	CN239	101	CN249	101	CN259	101
CN210	101	CN220	101	CN230	101	CN240	101	CN250	101	CN260	101

## DIODE

SYMBOL NO.	INDEX NO.	SYMBOL NO.	INDEX NO.	SYMBOL NO.	INDEX NO.	SYMBOL NO.	INDEX NO.	SYMBOL NO.	INDEX NO.
CN261	101	CN271	101	CN281	101	CN300	102	D200	103
CN262	101	CN272	101	CN282	101			D201	103
CN263	101	CN273	101	CN283	101	D202	103		
CN264	101	CN274	101	CN284	101	D203	103		
CN265	101	CN275	101	CN285	101	D204	103		
CN266	101	CN276	101	CN286	101	D205	103		
CN267	101	CN277	101	CN287	101	D206	103		
CN268	101	CN278	101	CN288	101	D207	103		
CN269	101	CN279	101	CN289	101	D208	103		
CN270	101	CN280	101	CN290	101	D209	103		

# 11. BIN SOLENOID BOARD (A469)

April 30, '89

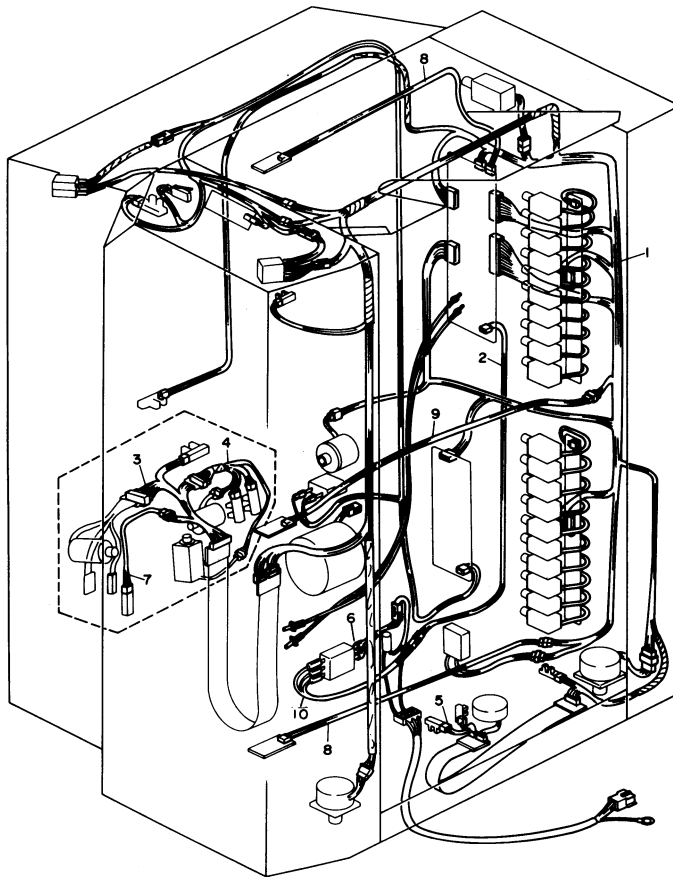
Index No.	Part No.	Description	Q'ty Per Assembly
*	A469 5130	Bin Solenoid Board	1

Index No.	Part No.	Description	Q'ty Per Assembly
101	1103 1810	Pin Header - 2P (Brown)	
102	1103 1819	Connector	
103	1401 0832	Diode - DSA1A1	



## 12. HARNESS LAYOUT (A469)

April 30, '89



## 12. HARNESS LAYOUT (A469)

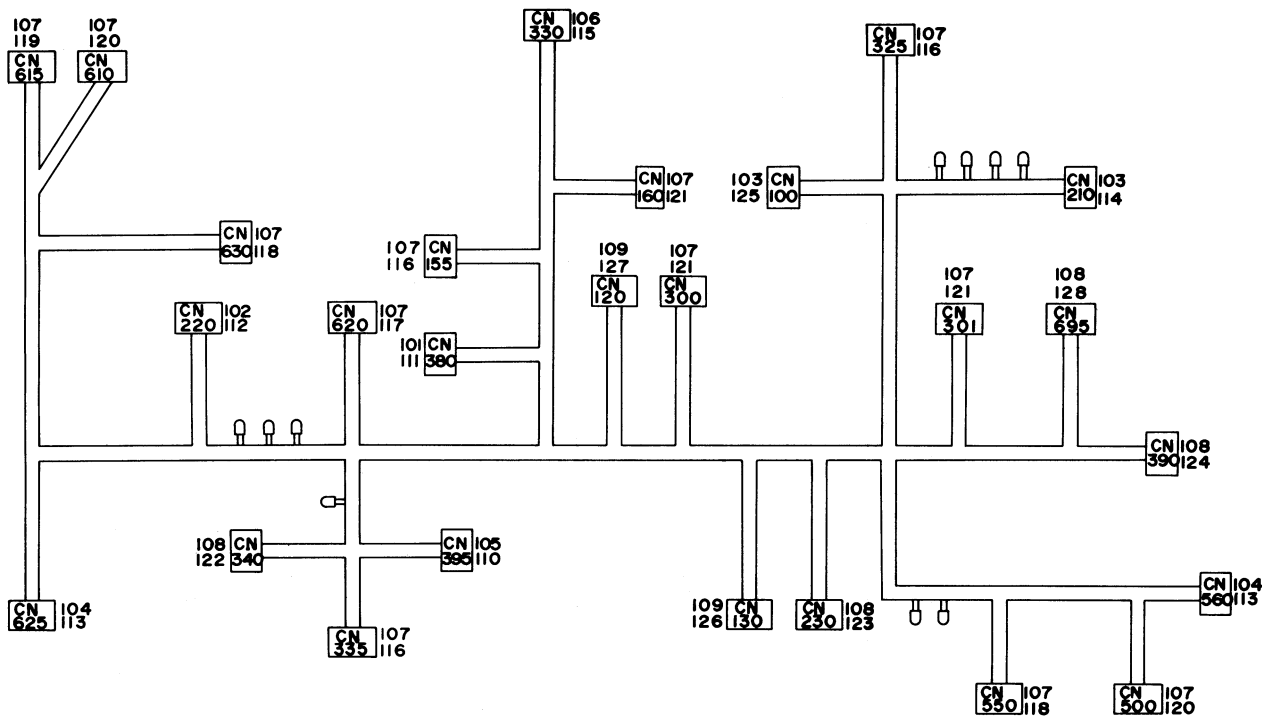
April 30, '89

Index No.	Part No.	Description	Q'ty Per Assembly
1	A469 5405	DC Harness	1
2	A469 5400	AC Harness	1
3	A469 5415	Stapler Harness	1
4	A469 5420	Gripper Harness	1
5	A469 5410	Jog Sensor Harness	1
6	A469 5450	AC Intermediate Harness	1
7	A469 5425	Paper Size Sensor Harness	1
8	A469 5430	Harness - Receiver Sensor Board	2
9	A469 5435	Harness - Light Sensor Board	1
10	A469 5442	Noise Filter Harness	1

Index No.	Part No.	Description	Q'ty Per Assembly
-----------	----------	-------------	-------------------

# 13. DC HARNESS (A469)

April 30, '89



### 13. DC HARNESS (A469)

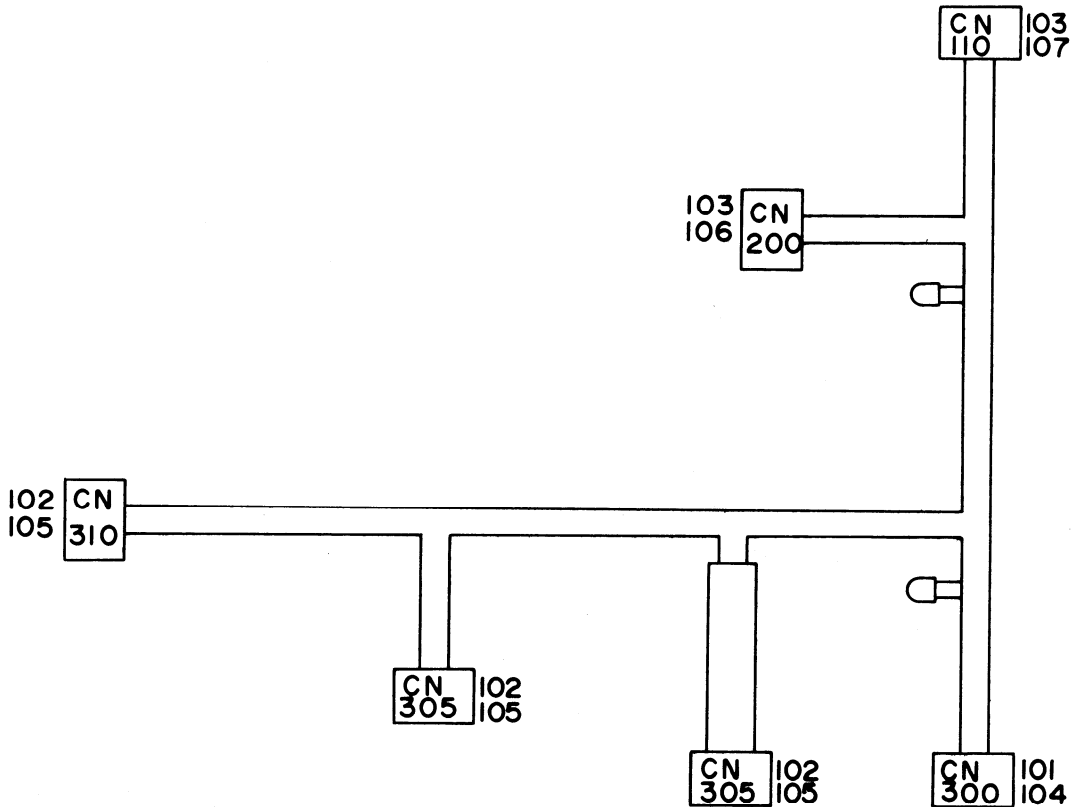
April 30, '89

Index No.	Part No.	Description	Q'ty Per Assembly
*	A469 5405	DC Harness	1

Index No.	Part No.	Description	Q'ty Per Assembly
101	1100 1159	Socket - Mate-N-Lock	
102	1100 1241	Socket - Mate-N-Lock	
103	1100 1247	Terminal	
104	1100 1249	Receptacle Terminal	
105	1100 1259	Socket - Mate-N-Lock	
106	1100 1327	Contact	
107	1100 1329	Socket Contact	
108	1100 1330	Socket Contact	
109	1100 1348	Pin Contact	
110	1102 1089	Connector - 3P	
111	1102 1396	Connector - 2P	
112	1102 1517	Connector - 4P	
113	1102 1620	Connector - 3P	
114	1102 1831	Connector - 4P	
115	1102 1911	Connector - 3P	
116	1102 1982	Socket Housing - 2P	
117	1102 1983	Socket Housing - 3P	
118	1102 1986	Socket Housing - 6P	
119	1102 1987	Pin Housing - Mate-N-Lock - 6P	
120	1102 1989	Socket Housing - 9P	
121	1102 1991	Socket Housing - 11P	
122	1102 2024	Pin Housing - 2P	
123	1102 2025	Pin Housing - 3P	
124	1102 2026	Pin Housing - 4P	
125	1102 2061	Connector - 6P	
126	1103 0658	Connector - 40P	
127	1103 0661	Connector	
128	1102 2039	Pin Housing - 3P	

# 14. AC HARNESS (A469)

April 30, '89



# 14. AC HARNESS (A469)

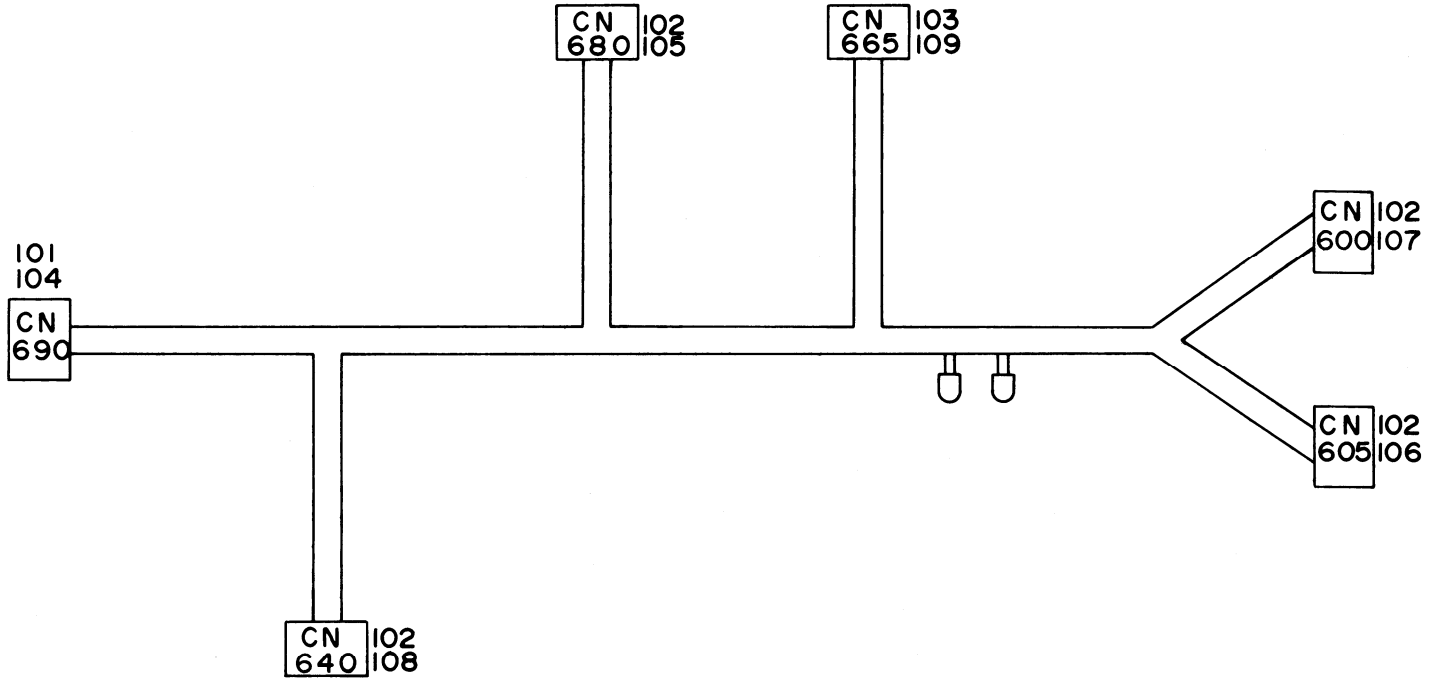
April 30, '89

Index No.	Part No.	Description	Q'ty Per Assembly
*	A469 5400	AC Harness	1

Index No.	Part No.	Description	Q'ty Per Assembly
101	1100 1239	Pin - Mate-N-Lock	
102	1100 1241	Socket - Mate-N-Lock	
103	1100 1247	Terminal	
104	1102 1507	Connector - 2P	
105	1102 1515	Connector - 2P	
106	1102 1878	Connector - 3P	
107	1102 1896	Connector - 2P	

15. STAPLE HARNESS (A469)

April 30, '89



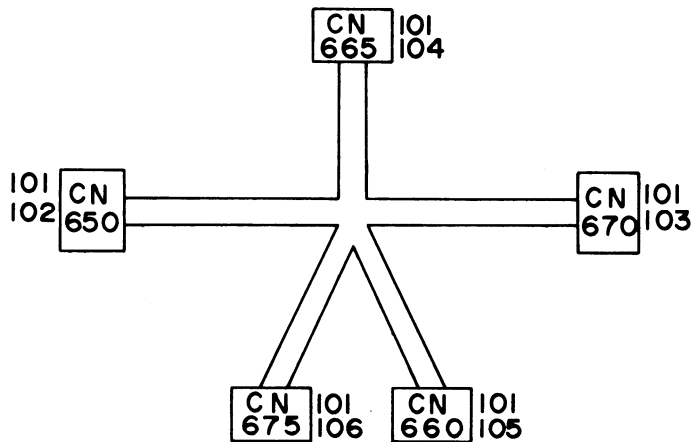
# 15. STAPLE HARNESS (A469)

April 30, '89

Index No.	Part No.	Description	Qty Per Assembly
*	A469 5415	Stapler Harness	1

Index No.	Part No.	Description	Qty Per Assembly
101	1100 1259	Socket - Mate-N-Lock	
102	1100 1329	Socket Contact	
103	1100 1330	Socket Contact	
104	1102 1089	Connector - 3P	
105	1102 1983	Socket Housing - 3P	
106	1102 1987	Pin Housing - Mate-N-Lock - 6P	
107	1102 1989	Socket Housing - 9P	
108	1102 1990	Socket Housing - 10P	
109	1102 2029	Pin Housing - 10P	



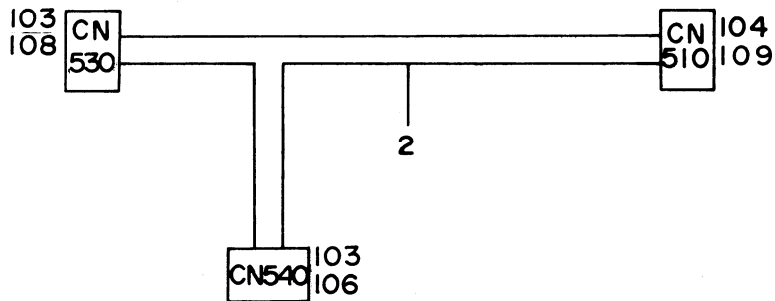
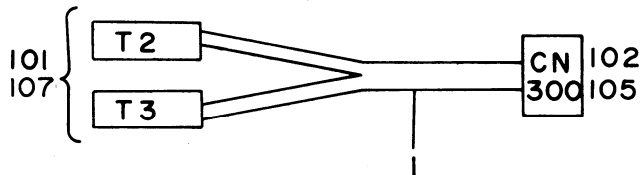


# 16. GRIPPER HARNESS (A469)

April 30, '89

Index No.	Part No.	Description	Q'ty Per Assembly
*	A469 5420	Gripper Harness	1

Index No.	Part No.	Description	Q'ty Per Assembly
101	1100 1329	Socket Contact	
102	1102 1982	Socket Housing - 2P	
103	1102 1983	Socket Housing - 3P	
104	1102 1990	Socket Housing - 10P	
105	1102 2010	Socket Housing - 2P	
106	1102 2011	Socket Housing - 3P	



# 17. JOG SENSOR AND AC INTERMEDIATE HARNESSSES (A469)

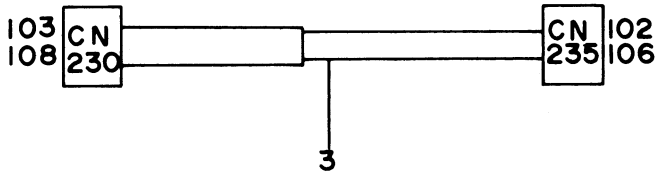
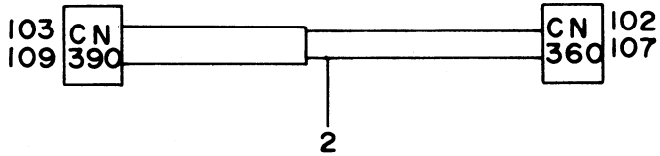
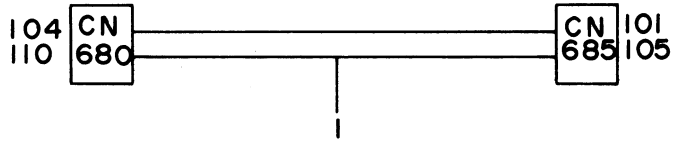
April 30, '89

Index No.	Part No.	Description	Q'ty Per Assembly
1	A469 5450	AC Intermediate Harness	1
2	A469 5410	Jog Sensor Harness	1

Index No.	Part No.	Description	Q'ty Per Assembly
101	1100 0885	Fastening Receptacle	
102	1100 1239	Pin - Mate-N-Lock	
103	1100 1249	Receptacle Terminal	
104	1100 1329	Socket Contact	
105	1102 1507	Connector - 2P	
106	1102 1620	Connector - 3P	
107	1102 1745	Receptacle Sleeve	
108	1102 1786	Connector - 3P	
109	1102 1980	Receptacle Housing - 1P	

18. RECEIVER SENSOR BOARD, LIGHT SENSOR BOARD  
AND PAPER SIZE SENSOR HARNESSSES (A469)

April 30, '89



# 18. RECEIVER SENSOR BOARD, LIGHT SENSOR BOARD AND PAPER SIZE SENSOR HARNESES (A469)

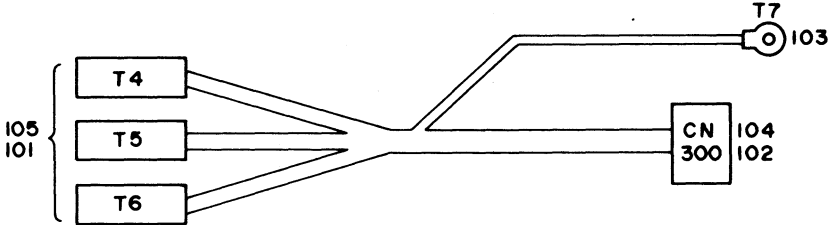
April 30, '89

Index No.	Part No.	Description	Q'ty Per Assembly
1	A469 5425	Paper Size Sensor Harness	1
2	A469 5430	Harness - Receiver Sensor Board	1
3	A469 5435	Harness - Light Sensor Board	1

Index No.	Part No.	Description	Q'ty Per Assembly
101	1100 1259	Socket - Mate-N-Lock	
102	1100 1274	Fastening Receptacle	
103	1100 1329	Socket Contact	
104	1100 1330	Socket Contact	
105	1102 1089	Connector - 3P	
106	1102 1793	Connector - 3P	
107	1102 1794	Connector - 4P	
108	1102 1983	Socket Housing - 3P	
109	1102 1984	Socket Housing - 4P	
110	1102 2025	Pin Housing - 3P	

19. NOISE FILTER HARNESS (A469)

April 30, '89



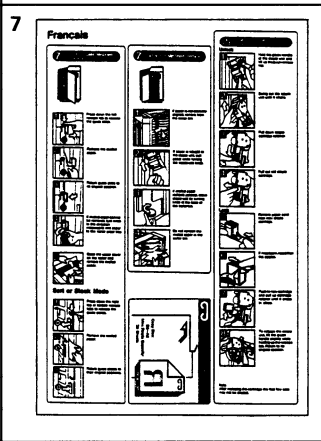
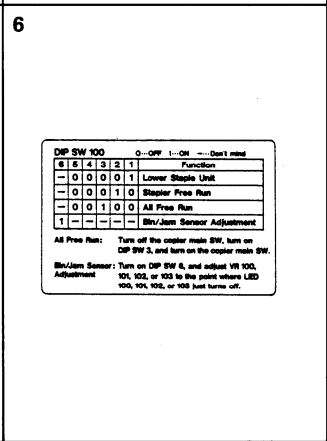
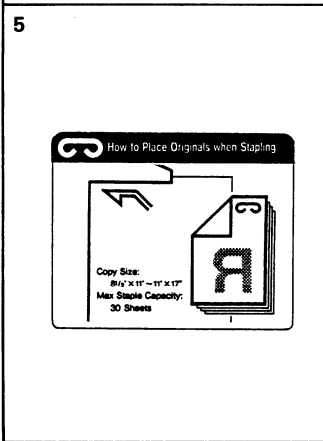
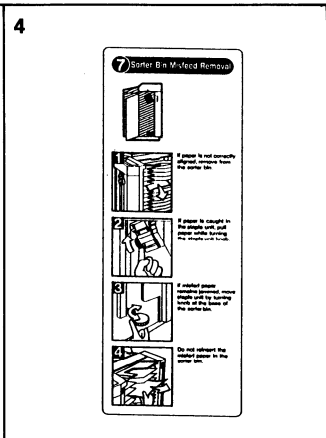
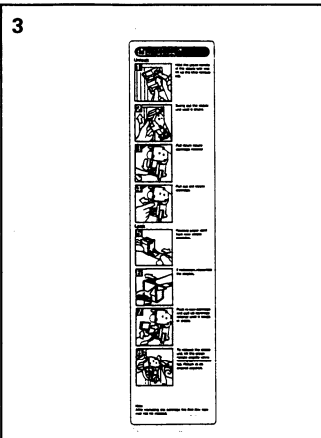
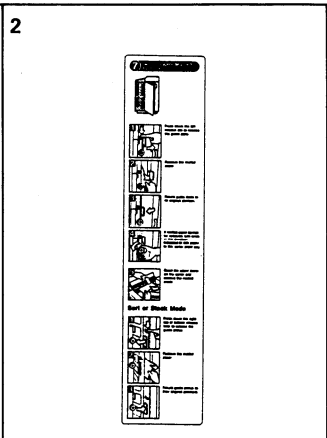
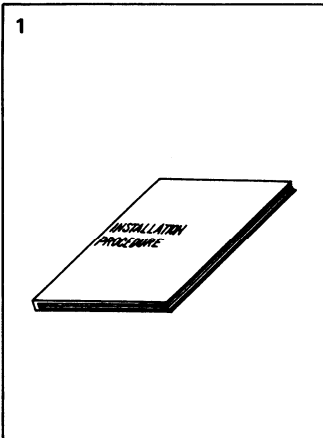
## 19. NOISE FILTER HARNESS (A469)

April 30, '89

Index No.	Part No.	Description	Q'ty Per Assembly
*	A469 5442	Noise Filter Harness	1

Index No.	Part No.	Description	Q'ty Per Assembly
101	1100 0885	Fastening Receptacle	
102	1100 1241	Socket - Mate-N-Lock	
103	1100 1264	Fastening Receptacle	
104	1102 1515	Connector - 2P	
105	1102 1745	Receptacle Sleeve	





## 20. DECAL AND DOCUMENT (A469)

April 30, '89

Index No.	Part No.	Description	Q'ty Per Assembly
1	A469 8610	Installation Procedure - English	1
1	A469 8615	Installation Procedure - Multi	1
2	A469 6059	Decal - Misfeed Removal 7	1
3	A469 6065	Decal - Staple Replacement	1
4	A469 6071	Decal - Misfeed Removal 7	1
5	A469 6077	Decal - Staple Position - LT	1
5	A469 6082	Decal - Staple Position - A4	1
6	A469 6052	Decal - DIP Switch	1
7	A469 6093	Decal - Multi - German	1
7	A469 6094	Decal - Multi - French	1
7	A469 6095	Decal - Multi - Italian	1
7	A469 6096	Decal - Multi - Spanish	1

Index No.	Part No.	Description	Q'ty Per Assembly

# **PARTS INDEX**

Parts No.	Description	Page and Index No.
A469 1107	Hand Grip - Staple Unit	19-1
A469 1108	Bracket - Power Supply Cord	19-32
A469 1109	Cover - Interface Harness	19-33
A469 1161	Front Connector Bracket	13-58
A469 1164	Rear Connector Bracket	13-62
A469 1170	Lever Bracket	9-60
A469 1174	Lever - Front Left Door Switch	9-61
A469 1178	Switch Cover - Front Left Door	11-74
A469 1180	Cover - Front Right Door Switch	19-58
A469 1182	Arm Shaft - Front Right Door Switch	19-24
A469 1184	Lever - Front Right Door	19-25
A469 1186	Arm - Front Right Door Switch	19-27
A469 1245	Left Top Cover	7-17
A469 1257	Pad - 2x7x485mm	7-20
A469 1258	Upper Cover Mounting Plate	9-2
A469 1261	Rear Top Cover	7-9
A469 1268	Indicator Board Bracket	19-5
A469 1269	Indicator Film	7-11
A469 1280	Magnet Catch Bracket	11-75
A469 1280	Magnet Catch Bracket	13-82
A469 1285	Left Cover	7-16
A469 1298	Lower Magnet Catch Bracket - Staple	19-3
A469 1310	Hinge Bracket	7-4
A469 1313	Insulating Pad - 10x120x870mm	7-3
A469 1314	Insulating Pad - 10x72x625mm	7-37
A469 1315	Hinge	7-5
A469 1335	Hand Grip	7-7
A469 1376	Front Bin Support Cover	7-14
A469 1386	Rear Bin Support Cover	7-15
A469 1392	Bottom Cover	7-1
A469 1395	Inner Cover - Staple Unit	15-60
A469 1396	Upper Jog Cover	17-1
A469 1398	Upper Cover - Gripper Solenoid	9-1
A469 1450	Main Motor Bracket	13-64
A469 1455	Driving Support Bracket	13-70

Parts No.	Description	Page and Index No.
A469 1460	Clutch Tightener	13-68
A469 1465	Rear Bracket - Drive Clutch	13-71
A469 1466	Front Bracket - Drive Clutch	13-67
A469 1470	Driving Shaft	13-59
A469 1475	Spacer - 6x25x6mm	13-74
A469 1485	Idle Pulley	13-77
A469 1660	Pad - Rear Cover	7-13
A469 1662	Rear Cover Bracket	19-61
A469 1666	Paper Sensor Cover	15-77
A469 1668	Cover - Power Supply Unit - 220/240V	13-87
A469 1670	Main Motor Cover	13-57
A469 1675	Front Top Cover	7-10
A469 1682	Front Left Door	7-6
A469 1692	Front Right Door	7-8
A469 1701	Right Cover	7-2
A469 1710	Rear Cover	7-12
A469 2050	Front Side Plate - Transport	9-56
A469 2055	Rear Side Plate - Transport	9-57
A469 2075	Guide Plate Bracket	9-19
A469 2100	Transport Stay Bracket	9-58
A469 2105	Proof Tray Supporter	9-59
A469 2110	Upper Relay Guide Plate	9-20
A469 2123	Rubber Cushion - 1x10x10mm	9-4
A469 2124	Upper Transport Guide Plate	9-18
A469 2130	Lower Exit Guide Plate	9-17
A469 2134	Upper Exit Guide Plate	9-21
A469 2138	Link - Exit Guide Plate	9-23
A469 2139	Guide Plate - Distribution Entrance	9-3
A469 2150	Left Guide - Distribution Entrance	9-9
A469 2200	Driven Transport Roller	9-14
A469 2210	Drive Transport Roller	9-15
A469 2220	Lower Exit Roller	9-53
A469 2230	Exit Sensor Shaft	9-6
A469 2231	Exit Sensor Feeler	9-7
A469 2232	Exit Sensor Actuator	9-48

Parts No.	Description	Page and Index No.
A469 2240	Exit Sensor Bracket	9-46
A469 2250	Turn Gate	9-8
A469 2255	Turn Gate Bracket	9-41
A469 2260	Bracket - Turn Gate Solenoid	9-43
A469 2262	Stopper - Turn Gate Solenoid	9-45
A469 2266	Turn Gate Solenoid	9-42
A469 2325	Vertical Transport Roller	9-16
A469 2335	Tension Idler	9-39
A469 2345	Idle Pulley	9-38
A469 2389	Top Cover - A4	9-28
A469 2391	Top Cover - LT	9-28
A469 2410	Bracket - Upper Exit Roller	9-25
A469 2415	Upper Exit Roller	9-26
A469 2421	Shaft - Top Cover	9-29
A469 2422	Lever - Top Cover Switch	9-30
A469 2423	Arm - Top Cover Switch	9-52
A469 2425	Spacer - 4.5x8x2mm	9-51
A469 3050	Front Side Plate - Distribution	11-1
A469 3055	Rear Side Plate - Distribution	11-2
A469 3070	Stay Plate - Distribution	11-3
A469 3070	Stay Plate - Distribution	13-20
A469 3072	Stay Shsft - Distribution	11-4
A469 3075	Bracket - Receiver Sensor Board	11-5
A469 3077	Stopper Screw	11-9
A469 3077	Stopper Screw	13-28
A469 3090	Relay Guide Plate	11-21
A469 3100	Left Guide Plate - Transport	11-39
A469 3109	Lower Entrance Guide Plate	11-51
A469 3113	Rubber Seal - 1x6x10mm	11-52
A469 3113	Rubber Seal - 1x6x10mm	9-22
A469 3115	Upper Entrance Guide Plate	11-53
A469 3120	Bracket - Driven Unit Lever	11-56
A469 3125	Flange - Transport Roller Pulley	11-50
A469 3130	Lower Vertical Transport Roller	11-45
A469 3132	Middle Vertical Transport Roller	11-77

Parts No.	Description	Page and Index No.
A469 3133	Misfeed Removal Knob	11-46
A469 3134	Upper Vertical Transport Roller	11-43
A469 3142	Idle Pulley Stud - Long	11-49
A469 3145	Tightener Pulley - 10Z	11-82
A469 3150	Bin Transport Roller	11-10
A469 3150	Bin Transport Roller	13-29
A469 3155	Bin Exit Roller	11-11
A469 3155	Bin Exit Roller	13-30
A469 3160	Bin Gate	11-14
A469 3160	Bin Gate	13-33
A469 3164	Bin Solenoid Lever	11-19
A469 3164	Bin Solenoid Lever	13-37
A469 3170	Bin Solenoid Bracket	11-22
A469 3170	Bin Solenoid Bracket	13-43
A469 3175	Idle Pulley Stud - Short	11-26
A469 3175	Stopper Screw	13-45
A469 3180	Idle Pulley Bracket	11-31
A469 3182	Idle Pulley Shaft	11-32
A469 3190	Drive Pulley Bracket	11-35
A469 3190	Drive Pulley Bracket	13-50
A469 3192	Drive Pulley Shaft	13-49
A469 3195	Tightener Pulley	11-36
A469 3210	Tightener Pulley - 10Z	11-37
A469 3280	Board Support Bracket - Short	11-38
A469 3290	Bin Exit Guide	7-32
A469 3300	Distribution Driven Unit	11-59
A469 3300	Distribution Driven Unit	13-1
A469 3303	Upper Noise Insulating Pad	11-83
A469 3304	Lower Noise Insulating Pad	13-84
A469 3305	Driven Link Bracket	11-70
A469 3305	Driven Link Bracket	13-11
A469 3310	Bin Entrance Guide Plate	11-65
A469 3310	Bin Entrance Guide Plate	13-9
A469 3315	Small Guide Plate - Driven Unit	11-67
A469 3315	Small Guide Plate - Driven Unit	13-5

Parts No.	Description	Page and Index No.
A469 3320	Large Guide Plate - Driven Unit	11-66
A469 3320	Large Guide Plate - Driven Unit	13-10
A469 3330	Relay Guide Plate - Driven Unit	11-61
A469 3340	Transport Roller - Driven Unit	11-60
A469 3340	Transport Roller - Driven Unit	13-2
A469 3345	Guide Roller Stud	11-68
A469 3345	Guide Roller Stud	13-6
A469 3350	Guide Stud	11-64
A469 3350	Guide Stud	13-8
A469 3360	Driven Unit Lever Bracket	11-71
A469 3360	Driven Unit Lever Bracket	13-12
A469 3365	Driven Unit Lever	11-57
A469 3365	Driven Unit Lever	13-13
A469 3380	Driven Unit Handle	11-72
A469 3380	Driven Unit Handle	13-15
A469 3400	Right Transport Guide Plate	11-40
A469 3415	Link Bracket	11-42
A469 3420	Pressure Roller - Vertical Transport	11-41
A469 3450	Front Guide - Lower Distribution	13-18
A469 3455	Rear Guide - Lower Distribution	13-19
A469 3461	Bracket - Light Sensor Board	13-26
A469 3462	Tightener Pulley	13-54
A469 3465	Bracket - Power Supply Unit	13-81
A469 3470	Bracket - Receiver Sensor Board	13-17
A469 3480	Cover - Receiver Sensor Board	13-23
A469 4051	Staple Unit Frame	19-8
A469 4055	Front Side Plate - Staple Unit	19-12
A469 4056	Front Support Plate - Staple Unit	19-13
A469 4058	Front Stay - Staple	19-9
A469 4059	Right Bracket - Staple Unit Harness	15-63
A469 4062	Lower Support Plate - Rail	19-10
A469 4065	Upper Support Plate - Rail	19-11
A469 4071	Pulley Bracket	19-20
A469 4072	Pulley Shaft	19-22
A469 4075	Left Rail - Staple Unit	15-59

Parts No.	Description	Page and Index No.
A469 4076	Right Rail - Staple Unit	19-16
A469 4081	Upper Belt Clamp	15-56
A469 4082	Lower Belt Clamp	15-54
A469 4086	Staple Unit Bracket	15-51
A469 4095	Left Guide Roller	15-57
A469 4095	Left Guide Roller	17-17
A469 4096	Right Guide Roller	15-52
A469 4096	Right Guide Roller	17-18
A469 4098	Left Bracket - Staple Unit Harness	15-61
A469 4101	Stapler Drive Shaft	19-18
A469 4103	Worm Gear - 2Z	19-40
A469 4104	Gear - 25Z	19-19
A469 4108	Staple Unit Top Cover	15-69
A469 4112	Bracket - Staple Unit Motor	19-39
A469 4116	Pulley Shaft	19-42
A469 4117	Knob Bracket - Staple Unit Motor	19-54
A469 4118	Knob Shaft - Staple Unit Motor	19-55
A469 4119	Knob - Staple Unit Motor	19-56
A469 4125	Staple Unit Arm	15-53
A469 4151	Rear Side Plate - Staple Unit	19-15
A469 4156	Bracket - Side Plate Motor	17-2
A469 4159	Idle Pulley	17-3
A469 4161	Rear Holder Bracket - Sorting Bin	19-47
A469 4165	Bracket - Jog Home Position Sensor	17-8
A469 4168	Side Plate Drive Shaft	17-7
A469 4202	Jog Motor Bracket	17-15
A469 4205	Jog Harness Bracket	17-40
A469 4206	Jog Unit - Stopper	17-19
A469 4210	Jog Belt Clamp	17-26
A469 4211	Belt Clamp Block	17-28
A469 4212	Belt Clamp Spacer	17-45
A469 4214	Jog Motor Actuator	17-21
A469 4216	Upper Jog Shaft	17-42
A469 4217	Lower Jog Shaft	17-43
A469 4221	Jog Lever	17-36

Parts No.	Description	Page and Index No.
A469 4222	Side Plate Bracket	17-44
A469 4225	Side Plate	17-39
A469 4227	Mylar Seal - Exit Guide	17-37
A469 4228	Mylar Seal - Support	17-38
A469 4236	Guide Bracket - Jog Unit	17-34
A469 4242	Upper Stay - Staple Unit	17-46
A469 4242	Upper Stay - Staple Unit	19-23
A469 4243	Jog Rail	17-10
A469 4244	Bracket - Upper Jog Rail	17-33
A469 4246	Bracket - Upper Idle Pulley	17-31
A469 4252	Bracket - Lower Idle Pulley	17-32
A469 4256	Bracket - Lower Jog Rail	17-11
A469 4258	Position Actuator Plate	17-14
A469 4259	Roller Guide Plate	17-13
A469 4260	Position Actuator Plate - Staple Unit	11-73
A469 4260	Position Actuator Plate - Staple Unit	13-16
A469 4262	Grounding Plate - Antistatic Brush	11-29
A469 4262	Grounding Plate - Antistatic Brush	13-41
A469 4265	Base Cover	19-7
A469 4301	Stapler Bracket	15-1
A469 4303	Shaft - Stapler Release Handle	15-18
A469 4304	Stapler Release Handle	15-19
A469 4311	Stapler Fixed Bracket	15-9
A469 4316	Spring Anchor Bracket	15-7
A469 4321	Stapler Release Lever	15-12
A469 4325	Stapler Release Arm	15-8
A469 4331	Joint Lever	15-3
A469 4341	Stapler Lock/Release Link	15-6
A469 4342	Spacer - 8.1x12x9mm	15-14
A469 4345	Shaft - Stapler Fixed Bracket	15-13
A469 4346	Shaft - Stapler Release Arm	15-10
A469 4347	Stapler Bracket Shaft	15-5
A469 4355	Adjusting Plate - Staple Position	15-15
A469 4361	Stapler Motor Cover	15-17
A469 4362	Cover - Stapler Drive Section	15-21

Parts No.	Description	Page and Index No.
A469 4365	Stapler Knob	15-20
A469 4406	Arm Side Plate	15-27
A469 4421	Upper Arm	15-29
A469 4423	Rubber Seal - 1.5x6.5x22mm	15-30
A469 4425	Lower Arm	15-31
A469 4431	Spiral Shaft	15-33
A469 4433	Gripper Drive Bracket	15-34
A469 4435	Gripper Drive Ball	15-35
A469 4442	Gripper Side Plate	15-36
A469 4448	Gripper Drive Gear	15-41
A469 4456	Gripper Push Guide	15-47
A469 4463	Gripper Push Lever	15-45
A469 4465	Reverse Roller	15-48
A469 4467	Pad - 3x8x10mm	15-46
A469 4467	Pad - 3x8x10mm	17-20
A469 4472	Gripper Solenoid Bracket	15-66
A469 4474	Shaft - Gripper Drive Guide	15-38
A469 4476	Gripper Solenoid Ass'y	15-75
A469 4481	Upper Arm Link	15-23
A469 4485	Lower Arm Link	15-25
A469 4487	Middle Arm Link	15-26
A469 4490	Upper Arm Cam	15-24
A469 4491	Lower Arm Cam	15-73
A469 4492	Middle Arm Cam	15-74
A469 4496	Arm Support Bracket	15-70
A469 4497	Arm Roller	15-71
A469 4498	Arm Roller Shaft	15-72
A469 4499	Spring - Arm Link	15-65
A469 4522	Front Holder - Sorting Bin	19-14
A469 4523	Rear Holder - Sorting Bin	11-28
A469 4523	Rear Holder - Sorting Bin	13-40
A469 4523	Rear Holder - Sorting Bin	19-48
A469 4530	Spring - Side Fence	7-21
A469 4531	Guide Plate - Front Side Plate	7-22
A469 4533	Shaft - Front Side Plate	7-23

Parts No.	Description	Page and Index No.
A469 4535	Pad - 2x3x40mm	7-27
A469 4536	Pad - 4x8x12mm	7-25
A469 4537	Bin Front Side Plate Ass'y	7-24
A469 4539	Sorting Bin	7-26
A469 4540	Sorting Bin - 10th,20th	7-31
A469 4541	Antistatic Brush - Bin	7-28
A469 4548	Mylar Seal - Stapler Guide	7-30
A469 4949	Mylar Seal - Bin	7-29
A469 5100	Main Board	11-80
A469 5100	Main Board	21-*
A469 5102	IC - HN27256G-25	21-1
A469 5111	Main Board Bracket	11-81
A469 5130	Bin Solenoid Board	11-30
A469 5130	Bin Solenoid Board	13-80
A469 5130	Bin Solenoid Board	27-*
A469 5150	Indicator Board	19-6
A469 5201	Bracket - Front Left Door Switch	9-62
A469 5202	Lower Switch - Front Left Door	9-64
A469 5203	Upper Switch - Front Left Door	9-65
A469 5206	Bracket - Top Cover Switch	9-49
A469 5207	Top Cover Switch	9-50
A469 5211	Bracket - Front Right Door Switch	19-28
A469 5212	Upper Switch - Front Right Door	19-30
A469 5213	Lower Switch - Front Right Door	19-31
A469 5215	Insulating Sheet - Switch	19-29
A469 5215	Insulating Sheet - Switch	9-63
A469 5220	Distribution Drive Clutch	13-66
A469 5230	Fuse Ass'y - 115V	19-34
A469 5231	Fuse Ass'y - 220/240V	19-34
A469 5300	Staple Unit Harness	15-62
A469 5310	Jog Harness	17-29
A469 5350	Motor Damper	19-44
A469 5400	AC Harness	19-53
A469 5400	AC Harness	29-2
A469 5400	AC Harness	33-*

Parts No.	Description	Page and Index No.
A469 5405	DC Harness	11-85
A469 5405	DC Harness	29-1
A469 5405	DC Harness	31-*
A469 5410	Jog Sensor Harness	17-24
A469 5410	Jog Sensor Harness	29-5
A469 5410	Jog Sensor Harness	39-2
A469 5415	Stapler Harness	15-64
A469 5415	Stapler Harness	29-3
A469 5415	Stapler Harness	35-*
A469 5420	Gripper Harness	15-50
A469 5420	Gripper Harness	29-4
A469 5420	Gripper Harness	37-*
A469 5425	Paper Size Sensor Harness	15-22
A469 5425	Paper Size Sensor Harness	29-7
A469 5425	Paper Size Sensor Harness	41-1
A469 5430	Harness - Receiver Sensor Board	11-8
A469 5430	Harness - Receiver Sensor Board	13-22
A469 5430	Harness - Receiver Sensor Board	29-8
A469 5430	Harness - Receiver Sensor Board	41-2
A469 5435	Harness - Light Sensor Board	13-25
A469 5435	Harness - Light Sensor Board	29-9
A469 5435	Harness - Light Sensor Board	41-3
A469 5442	Noise Filter Harness	19-35
A469 5442	Noise Filter Harness	29-10
A469 5442	Noise Filter Harness	43-*
A469 5450	AC Intermediate Harness	19-37
A469 5450	AC Intermediate Harness	29-6
A469 5450	AC Intermediate Harness	39-1
A469 5455	Grounding Wire - 220/240V	19-62
A469 5460	Grounding Wire - Jog Unit	17-41
A469 5465	Grounding Wire	13-52
A469 5465	Grounding Wire	19-36
A469 5465	Grounding Wire	7-33
A469 5470	Optical Fiber Cable	11-86
A469 5830	Decal - 4A/125V	19-52



Parts No.	Description	Page and Index No.
A469 5831	Decal - T4A-250V	19-52
A469 6050	Inter Lock Plate	7-18
A469 6052	Decal - DIP Switch	19-63
A469 6052	Decal - DIP Switch	45-6
A469 6059	Decal - Misfeed Removal 7	45-2
A469 6059	Decal - Misfeed Removal 7	7-34
A469 6065	Decal - Staple Replacement	45-3
A469 6065	Decal - Staple Replacement	7-35
A469 6071	Decal - Misfeed Removal 7	45-4
A469 6071	Decal - Misfeed Removal 7	7-36
A469 6077	Decal - Staple Position - LT	45-5
A469 6077	Decal - Staple Position - LT	9-69
A469 6082	Decal - Staple Position - A4	45-5
A469 6082	Decal - Staple Position - A4	9-69
A469 6093	Decal - Multi - German	45-7
A469 6094	Decal - Multi - French	45-7
A469 6095	Decal - Multi - Italian	45-7
A469 6096	Decal - Multi - Spanish	45-7
A469 8610	Installation Procedure - English	45-1
A469 8615	Installation Procedure - Multi	45-1

Parts No.	Description	Page and Index No.
AA04 1007	Rubber Belt	15-42
AA04 3043	Timing Belt - 320XL	11-24
AA04 3044	Timing Belt - 377XL	15-55
AA04 3044	Timing Belt - 377XL	19-43
AA04 3045	Timing Belt - 464XL	17-27
AA04 3046	Timing Belt - 419XL	17-35
AA04 3073	Timing Belt - 84XL	13-72
AA04 3074	Timing Belt - 104XL	9-37
AA04 3075	Timing Belt - 110XL	9-33
AA04 3076	Timing Belt - 140XL	13-55
AA04 3077	Timing Belt - 250XL	11-78
AA04 3078	Timing Belt - 340XL	13-44
AA04 3079	Timing Belt - 424XL	9-66
AA04 3080	Timing Belt - 106XL	19-45
AA06 0213	Tension Spring	11-79
AA06 0213	Tension Spring	13-73
AA06 0215	Return Spring - Turn Gate	9-44
AA06 0216	Spring - Left Guide	9-11
AA06 0220	Spring - Paper Reverse	15-49
AA06 0221	Gripper Solenoid Spring	15-76
AA06 0222	Spring - Stapler Release Arm	15-11
AA06 0232	Spring - Transport Guide	9-70
AA08 0054	Bushing - 6x8x9mm	11-12
AA08 0054	Bushing - 6x8x9mm	13-31
AA08 2012	Bearing - M8	17-25
AA14 3200	Stepped Screw	15-32
AA14 3201	Stepped Screw	15-28
AA14 3202	Stepped Screw	17-12
AB01 7071	Gear - 19Z	9-40
AB01 7138	Gear - 15Z	9-31
AB01 7139	Gear - 26Z	9-36
AB03 0026	Pulley - 20Z	17-4
AB03 0155	Pulley - 10Z	9-34
AB03 0156	Pulley - 14Z	11-47
AB03 0157	Pulley - 12Z	11-48

Parts No.	Description	Page and Index No.
AB03 0157	Pulley - 12Z	9-32
AB03 0159	Pulley - 32Z	17-6
AB03 0161	Pulley - 32Z	17-30
AB03 0163	Pulley - 16Z	19-21
AB03 0165	Pulley - 16Z	19-17
AB03 0167	Pulley - 32Z	19-46
AB03 2023	Pulley	15-40
AJ01 1001	Stapler	15-16
AW02 0006	Photointerruptor - EE-SX460-P2	15-58
AW02 0006	Photointerruptor - EE-SX460-P2	17-9
AW02 0006	Photointerruptor - EE-SX460-P2	19-38
AW02 0013	Inlet Sensor	11-34
AW02 0014	Photo Sensor	15-44
AX02 0046	Main Motor - AC41W	13-76
AX04 0025	Staple Unit Motor	19-41
AX04 0026	Side Plate Motor	17-5
AX04 0027	Jog Motor	17-16
AX04 0028	DC Motor - DC4.7W	15-43
AX11 0013	Bin Solenoid	11-23
AX11 0013	Bin Solenoid	13-42
AZ22 0008	Power Supply Unit - 115V	13-56
AZ22 0009	Power Supply Unit - 220/240V	13-56
A010 5700	Sensor	15-2
H000 3277	Spacer - 4x8x3.5mm	11-7
H000 3277	Spacer - 4x8x3.5mm	13-27
5053 0447	Bushing - 6mm	15-37
5053 0447	Bushing - 6mm	19-57
5053 0447	Bushing - 6mm	9-27
5053 0709	Bushing - 6x10x6mm	9-54
5054 0536	Magnet Catch Ass'y	11-76
5054 0536	Magnet Catch Ass'y	13-83
5054 0536	Magnet Catch Ass'y	19-4
5163 1474	Stepped Screw - M4	19-49
5163 1474	Stepped Screw - M4	19-60
5203 1852	Bushing - 6x8x4mm	19-26

Parts No.	Description	Page and Index No.
5205 5251	LED Sensor Type - T	17-23
5205 5251	LED Sensor Type - T	9-47
5206 2684	Shoulder Screw - M3	9-24
5206 2686	Snap Ring	11-55
5206 2686	Snap Ring	17-47
5206 2686	Snap Ring	9-67
5216 4198	Stepped Screw - Guide Plate	15-68
5396 5025	Board Support Bracket - Long	11-84
5396 5025	Board Support Bracket - Long	13-85
5403 2075	Stepped Screw	9-55
5403 6246	Stepped Screw - Cleaning	13-79
5408 2035	Stepped Screw - M4	11-54
5408 2035	Stepped Screw - M4	9-68
5409 2525	Spring - Registration Link	11-13
5409 2525	Spring - Registration Link	13-32
5413 1882	Stepped Screw	15-4
5413 3903	Pin - Transfer Guide Plate	13-86
5418 1709	Bushing - Lens Shaft	11-44
5424 1064	Screw Stand	19-2
5442 4495	Slip Clutch	9-35
5446 1086	Leveling Foot Guide	19-50
5448 4973	Decal - English	19-64
5840 2416	Bushing - Pinch Roller	11-15
5840 2416	Bushing - Pinch Roller	13-34
5840 2416	Bushing - Pinch Roller	15-39
5840 2416	Bushing - Pinch Roller	17-22
5886 1066	Tension Pulley	13-69
5887 2120	Coupled Pulley - 15Z/18Z	13-63
5887 2136	Pulley - 40Z	13-61
5887 2138	Pulley - 14Z	13-75
5887 2150	Pulley - 17Z	13-60
5887 2250	Pulley - 17Z	11-33
5887 2250	Pulley - 17Z	13-48
5887 2340	Timing Belt - 166XL	13-78
5887 3257	Spring - Lower Exit Roller	9-12

Parts No.	Description	Page and Index No.
5887 3268	Antistatic Brush	9-5
5887 3281	Proof Tray	7-19
5887 4155	Shaft Guide - Turn Driven	11-62
5887 4155	Shaft Guide - Turn Driven	13-3
5887 4155	Shaft Guide - Turn Driven	9-13
5887 4156	Spring - Driven Roller	11-63
5887 4156	Spring - Driven Roller	13-4
5887 4166	Return Spring - Turn Pawl	11-27
5887 4166	Return Spring - Turn Pawl	13-47
5887 4180	Tension Idler - Turn Pawl	13-53
5887 4185	Idler Pulley	11-25
5887 4185	Idler Roller	13-46
5887 4190	Pulley - 10Z	11-16
5887 4190	Pulley - 10Z	13-39
5887 4193	Pulley - 10Z	11-18
5887 4193	Pulley - 10Z	13-36
5887 4195	Stopper Screw	13-51
5887 4270	Antistatic Brush - Bin	7-38
5887 4350	Spring - Return Lever	11-58
5887 4350	Spring - Return Lever	13-14
5887 4400	Guide Roller - Driven Unit	11-69
5887 4400	Guide Roller - Driven Unit	13-7
5887 4400	Guide Roller - Driven Unit	9-10
5887 5623	Receiver Sensor Board	11-6
5887 5623	Receiver Sensor Board	13-21
5887 5623	Receiver Sensor Board	23-*
5887 5633	Light Sensor Board	13-24
5887 5633	Light Sensor Board	25-*
5918 5711	Fiber Output Connector	21-2
5918 5712	Fiber Input Connector	21-3
5937 2114	Bushing - Driving Side Plate	13-65
5937 4158	Spring Washer - BD10	11-17
5937 4158	Spring Washer - BD10	13-35
5937 4161	Cushion - Turn Lever	11-20
5937 4161	Cushion - Turn Lever	13-38

Parts No.	Description	Page and Index No.
5937 5710	Power Supply Cord - 220/240V	19-59
5937 5711	Power Supply Cord - 115V	19-59
5937 5780	Grounding Wire - 220/240V	19-51
5940 1198	Rubber Bushing	15-67

Parts No.	Description	Page and Index No.
0313 0050B	Philips Pan Head Screw - M3x5	13-113
0313 0050B	Philips Pan Head Screw - M3x5	15-109
0313 0050B	Philips Pan Head Screw - M3x5	9-103
0313 0050W	Philips Pan Head Screw - M3x5	15-111
0313 0050W	Philips Pan Head Screw - M3x5	17-107
0313 0050W	Philips Pan Head Screw - M3x5	19-109
0313 0060B	Philips Pan Head Screw - M3x6	11-125
0313 0060B	Philips Pan Head Screw - M3x6	13-124
0313 0100B	Philips Pan Head Screw - M3x10	15-125
0313 0120W	Philips Pan Head Screw - M3x12	11-118
0313 0120W	Philips Pan Head Screw - M3x12	13-103
0313 0160W	Philips Pan Head Screw - M3x16	9-113
0313 0300W	Philips Pan Head Screw - M3x30	9-118
0313 0400W	Philips Pan Head Screw - M3x40	19-112
0314 0040W	Philips Pan Head Screw - M4x4	11-112
0314 0040W	Philips Pan Head Screw - M4x4	15-112
0314 0040W	Philips Pan Head Screw - M4x4	19-131
0314 0060B	Philips Pan Head Screw - M4x6	11-115
0314 0060B	Philips Pan Head Screw - M4x6	13-115
0314 0060B	Philips Pan Head Screw - M4x6	15-115
0314 0060B	Philips Pan Head Screw - M4x6	17-104
0314 0060B	Philips Pan Head Screw - M4x6	19-118
0314 0060B	Philips Pan Head Screw - M4x6	9-102
0314 0060W	Philips Pan Head Screw - M4x6	11-102
0314 0060W	Philips Pan Head Screw - M4x6	13-102
0314 0060W	Philips Pan Head Screw - M4x6	15-102
0314 0060W	Philips Pan Head Screw - M4x6	17-101
0314 0060W	Philips Pan Head Screw - M4x6	19-104
0314 0060W	Philips Pan Head Screw - M4x6	7-103
0314 0060W	Philips Pan Head Screw - M4x6	9-106
0314 0080W	Philips Pan Head Screw - M4x8	15-121
0314 0080W	Philips Pan Head Screw - M4x8	19-129
0314 0080W	Philips Pan Head Screw - M4x8	9-122
0314 0100B	Philips Pan Head Screw - M4x10	13-118
0314 0100B	Philips Pan Head Screw - M4x10	9-112

Parts No.	Description	Page and Index No.
0314 0100W	Philips Pan Head Screw - M4x10	17-113
0314 0120B	Philips Pan Head Screw - M4x12	15-116
0314 0140W	Philips Pan Head Screw - M4x14	19-132
0315 0080W	Philips Pan Head Screw - M5x8	19-102
0315 0350B	Philips Pan Head Screw - M5x35	19-126
0315 0400B	Philips Pan Head Screw - M5x40	13-116
0323 0050B	Screw - M3x5	15-107
0323 0050B	Screw - M3x5	17-110
0344 0060F	Philips Truss Head Screw - M4x6	11-116
0344 0060F	Philips Truss Head Screw - M4x6	7-102
0433 0080B	Philips Screw - M3x8	19-121
0433 0140B	Tapping Screw - M3x14	19-120
0434 0060B	Philips Tapping Screw - M4x6	11-101
0434 0060B	Philips Tapping Screw - M4x6	13-105
0434 0060B	Philips Tapping Screw - M4x6	15-120
0434 0060B	Philips Tapping Screw - M4x6	17-105
0434 0060B	Philips Tapping Screw - M4x6	19-101
0434 0060B	Philips Tapping Screw - M4x6	7-101
0434 0060B	Philips Tapping Screw - M4x6	9-101
0434 0080B	Philips Tapping Screw - M4x8	13-107
0434 0120B	Philips Tapping Screw - M4x12	15-124
0573 0040E	Hexagon Headless Set Screw - M3x4	11-109
0573 0040E	Hexagon Headless Set Screw - M3x4	13-111
0573 0060E	Hexagon Headless Set Screw - M3x6	15-106
0574 0040E	Hexagon Headless Set Screw - M4x4	11-108
0574 0040E	Hexagon Headless Set Screw - M4x4	13-112
0574 0040E	Hexagon Headless Set Screw - M4x4	9-108
0574 0060E	Hexagon Headless Set Screw - M4x6	17-103
0574 0060E	Hexagon Headless Set Screw - M4x6	19-106
0632 0120G	Parallel Pin - 2x12	11-117
0632 0120G	Parallel Pin - 2x12	15-108
0632 0120G	Parallel Pin - 2x12	9-109
0701 0040B	Flat Washer - M4	11-113
0701 0040B	Flat Washer - M4	9-114
0701 0080	Flat Washer - M8	19-128

Parts No.	Description	Page and Index No.
0710 0030W	Hexagon Nut - M3	11-119
0710 0030W	Hexagon Nut - M3	13-104
0710 0050B	Hexagon Nut - M5	19-127
0720 0030E	Retaining Ring - M3	11-107
0720 0030E	Retaining Ring - M3	13-110
0720 0030E	Retaining Ring - M3	15-103
0720 0030E	Retaining Ring - M3	17-112
0720 0030E	Retaining Ring - M3	7-104
0720 0030E	Retaining Ring - M3	9-115
0720 0040E	Retaining Ring - M4	11-106
0720 0040E	Retaining Ring - M4	13-101
0720 0040E	Retaining Ring - M4	15-101
0720 0040E	Retaining Ring - M4	19-110
0720 0040E	Retaining Ring - M4	9-104
0720 0060E	Retaining Ring - M6	15-104
0720 0060E	Retaining Ring - M6	17-102
0720 0060E	Retaining Ring - M6	19-108
0720 0060E	Retaining Ring - M6	9-121
0725 0100E	Retaining Ring C - M10	17-109
0740 3206	Ball Bearing	9-110
0801 1185	Philips Truss Head Screw - M4x8	19-119
0802 5086	Tapping Screw - M4x10	9-107
0805 0083	Retaining Ring - M4	9-116
0805 3032	Ball Bearing - 6x15x5mm	15-118
0805 3145	Ball Bearing - 6x12x4mm	11-105
0805 3145	Ball Bearing - 6x12x4mm	13-109
0805 3145	Ball Bearing - 6x12x4mm	15-117
0805 3145	Ball Bearing - 6x12x4mm	19-117
0805 3145	Ball Bearing - 6x12x4mm	9-105
0805 3260	Ball Bearing - 15x17x5mm	13-114
0805 3291	Ball Bearing - 8x16x5mm	17-106
0805 3291	Ball Bearing - 8x16x5mm	19-107
0805 3291	Ball Bearing - 8x16x5mm	9-117
0805 5003	Caster	19-103
0807 3014	Nylon Washer	15-110

Parts No.	Description	Page and Index No.
0807 4053	Spacer - 6.2x9.5x0.1mm	11-111
0951 0060B	Philips Screw With Flat Washer - M3x6	17-114
0951 3006B	Philips Screw With Flat Washer - M3x6	15-122
0951 3006B	Philips Screw With Flat Washer - M3x6	17-111
0951 3006W	Philips Screw W/H Flat Washer - M3x6	15-105
0951 4006B	Philips Screw With Flat Washer - M4x6	13-117
0951 4006B	Philips Screw With Flat Washer - M4x6	7-105
0951 4006B	Philips Screw With Flat Washer - M4x6	9-111
0951 4006W	Philips Screw With Flat Washer - M4x6	11-114
0951 4006W	Philips Screw With Flat Washer - M4x6	15-113
0951 4006W	Philips Screw With Flat Washer - M4x6	19-130
0951 4008B	Philips Screw With Flat Washer - M4x8	13-123
0951 4008W	Philips Screw With Flat Washer - M4x8	15-123
0964 3005B	Tapping Screw With Flat Washer - M3x5	19-105
0964 4006B	Tapping Screw With Flat Washer - M4x6	11-121
0964 4006B	Tapping Screw With Flat Washer - M4x6	19-111
0964 4006B	Tapping Screw With Flat Washer - M4x6	9-119
0964 4008B	Tapping Screw With Flat Washer - M4x8	13-106
0964 4080B	Tapping Screw With Flat Washer - M4x80	11-103
1100 0885	Fastening Receptacle	39-101
1100 0885	Fastening Receptacle	43-101
1100 1159	Socket - Mate-N-Lock	31-101
1100 1239	Pin - Mate-N-Lock	33-101
1100 1239	Pin - Mate-N-Lock	39-102
1100 1241	Socket - Mate-N-Lock	31-102
1100 1241	Socket - Mate-N-Lock	33-102
1100 1241	Socket - Mate-N-Lock	43-102
1100 1247	Terminal	31-103
1100 1247	Terminal	33-103
1100 1249	Receptacle Terminal	31-104
1100 1249	Receptacle Terminal	39-103
1100 1259	Socket - Mate-N-Lock	31-105
1100 1259	Socket - Mate-N-Lock	35-101
1100 1259	Socket - Mate-N-Lock	41-101
1100 1264	Fastening Receptacle	43-103

Parts No.	Description	Page and Index No.
1100 1274	Fastening Receptacle	41-102
1100 1327	Contact	31-106
1100 1329	Socket Contact	31-107
1100 1329	Socket Contact	35-102
1100 1329	Socket Contact	37-101
1100 1329	Socket Contact	39-104
1100 1329	Socket Contact	41-103
1100 1330	Socket Contact	31-108
1100 1330	Socket Contact	35-103
1100 1330	Socket Contact	41-104
1100 1348	Pin Contact	31-109
1101 0328	Connector Pin Contact	21-101
1101 0359	Terminal - 3P	19-115
1102 1089	Connector - 3P	31-110
1102 1089	Connector - 3P	35-104
1102 1089	Connector - 3P	41-105
1102 1396	Connector - 2P	31-111
1102 1507	Connector - 2P	33-104
1102 1507	Connector - 2P	39-105
1102 1515	Connector - 2P	33-105
1102 1515	Connector - 2P	43-104
1102 1517	Connector - 4P	31-112
1102 1620	Connector - 3P	31-113
1102 1620	Connector - 3P	39-106
1102 1745	Receptacle Sleeve	39-107
1102 1745	Receptacle Sleeve	43-105
1102 1786	Connector - 3P	39-108
1102 1791	Connector - 3P	25-101
1102 1792	Connector - 4P	23-101
1102 1793	Connector - 3P	41-106
1102 1794	Connector - 4P	41-107
1102 1831	Connector - 4P	31-114
1102 1878	Connector - 3P	33-106
1102 1896	Connector - 2P	33-107
1102 1911	Connector - 3P	31-115

Parts No.	Description	Page and Index No.
1102 1980	Receptacle Housing - 1P	39-109
1102 1982	Socket Housing - 2P	31-116
1102 1982	Socket Housing - 2P	37-102
1102 1983	Socket Housing - 3P	31-117
1102 1983	Socket Housing - 3P	35-105
1102 1983	Socket Housing - 3P	37-103
1102 1983	Socket Housing - 3P	41-108
1102 1984	Socket Housing - 4P	41-109
1102 1986	Socket Housing - 6P	31-118
1102 1987	Pin Housing - Mate-N-Lock - 6P	31-119
1102 1987	Pin Housing - Mate-N-Lock - 6P	35-106
1102 1989	Socket Housing - 9P	31-120
1102 1989	Socket Housing - 9P	35-107
1102 1990	Socket Housing - 10P	35-108
1102 1990	Socket Housing - 10P	37-104
1102 1991	Socket Housing - 11P	31-121
1102 2010	Socket Housing - 2P	37-105
1102 2011	Socket Housing - 3P	37-106
1102 2024	Pin Housing - 2P	31-122
1102 2025	Pin Housing - 3P	31-123
1102 2025	Pin Housing - 3P	41-110
1102 2026	Pin Housing - 4P	31-124
1102 2029	Pin Housing - 10P	35-109
1102 2039	Pin Housing - 3P	31-128
1102 2061	Connector - 6P	31-125
1103 0402	Pin Header - 26P	21-102
1103 0658	Connector - 40P	31-126
1103 0661	Connector	31-127
1103 0740	Connector - 6P	21-103
1103 0750	Pin Housing - 2P	21-104
1103 1488	Connector - 40P	21-105
1103 1810	Pin Header - 2P (Brown)	21-106
1103 1810	Pin Header - 2P (Brown)	27-101
1103 1812	Pin Header - 4P	21-107
1103 1816	Pin Header - 8P	21-108

Parts No.	Description	Page and Index No.
1103 1819	Connector	21-109
1103 1819	Connector	27-102
1104 0271	LSI Socket - 28P	21-110
1104 0401	Cable Clip - 16mm	13-125
1104 0401	Cable Clip - 16mm	19-134
1104 0438	Fuse Case	19-113
1105 0005	Nylon Clip - 3N	13-120
1105 0005	Nylon Clip - 3N	19-124
1105 0008	Nylon Clip - 2N	11-104
1105 0008	Nylon Clip - 2N	13-108
1105 0016	Nylon Clip - 4N	11-124
1105 0016	Nylon Clip - 4N	15-119
1105 0016	Nylon Clip - 4N	17-108
1105 0046	TY - Wrap	15-114
1105 0106	Harness Clamp	11-122
1105 0106	Harness Clamp	13-121
1105 0106	Harness Clamp	19-123
1105 0106	Harness Clamp	9-120
1105 0108	Nylon Clip	19-122
1105 0144	Harness Clamp	11-123
1105 0144	Harness Clamp	13-122
1105 0144	Harness Clamp	19-125
1105 0161	Locking Support	11-110
1105 0161	Locking Support	13-119
1105 0271	Spacer	11-120
1106 0101	Cord Stopper	19-116
1106 0193	Bushing - 7.9mm	15-126
1106 0193	Bushing - 7.9mm	19-135
1107 0390	Fuse - 4A (115V)	19-114
1107 0458	Fuse - 4A - 220/240V	19-114
1204 1481	DIP Switch	21-111
1208 1258	Solid State Relay - AC240V	21-112
1400 0045	Transistor - 2SC372	23-102
1400 0113	Transistor - 2SA495GTMY	25-102
1400 0236	Transistor - 2SK30A-GR	23-103

Parts No.	Description	Page and Index No.
1400 0284	Transistor - 2SD789D	25-103
1400 0323	Transistor - PN108	23-104
1401 0200	Transistor - 2SD633	21-113
1401 0234	Transistor - 2SD686	21-114
1401 0296	Transistor - 2SA1162Y	21-115
1401 0298	Transistor - 2SC2712YTE85L	21-116
1401 0832	Diode - DSA1A1	21-117
1401 0832	Diode - DSA1A1	27-103
1401 0861	Transistor - 2SA1348	21-118
1401 0862	Transistor - 2SC3402	21-119
1402 0269	Zener Diode - RD39FC	21-120
1402 0477	IC - 1SS187TE85	21-121
1402 0481	Zener Diode - HZ18-2	23-105
1403 0238	Photocoupler - TLP521-1	21-122
1403 0247	LED - LN51L	25-104
1403 0558	LED - SEL2110RTP3	21-123
1407 1306	IC - SN74LS00	21-124
1407 1307	IC - HD74LS02F	21-125
1407 1309	IC - HD74LS04FD	21-126
1407 1311	IC - HD74LS32FP	21-127
1407 1314	IC - HD74LS74AFP	21-128
1407 1318	IC - LS161	21-129
1407 2073	IC - UPD78C10GF	21-130
1407 2217	IC - MPD71054G	21-131
1407 2231	IC - TD62308AF	21-132
1407 2273	IC - TA8050P	21-133
1407 2341	IC - MPD71051G	21-134
1407 2667	IC - PD71055GB-3B4	21-135
1407 2825	IC - TD62384F	21-136
1407 2858	IC - TD62601F	21-137
1407 2859	IC - TD62603F	21-138
1407 3053	IC - HD74LS153FP	21-140
1407 3054	IC - HD74LS157FP	21-141
1407 3055	IC - HD74LS158FP	21-142
1407 3056	IC - HD74LS373FP	21-143

Parts No.	Description	Page and Index No.
1407 3057	IC - TD62602F	21-144
1408 0124	IC - LM555CN	25-105
1408 0408	IC - PST518A	21-145
1408 0735	IC - HA17339F	21-146
1408 0736	IC - STK6712B	21-147
1503 0070	Ceramic Oscillator - 10MHz	21-148
1600 0549	Resistor - 820HM 2T ±10%	25-106
1600 1178	Resistor Array - 330OHM ±5% 1W	21-149
1600 1354	Resistor Array - 1KOHM 1W	21-150
1601 7351	Resistor Array - 3.3KOHM	21-151
1601 7373	Resistor Array - 3.3KOHM	21-152
1601 7374	Resistor Array - 4.7KOHM	21-153
1601 8139	Variable Resistor - 50KOHM 0.5W	21-154
1602 0950	Noise Filter	19-133
1604 1320	Capacitor - 10µF 50V	23-106
1604 1321	Capacitor - 0.47µF 50V	23-107
1604 1362	Capacitor - 4.7µF 25V	21-155
1604 1377	Capacitor - 10µF 50V	21-157
1604 1382	Capacitor - 10µF 50V	21-158
1604 1383	Capacitor - 22µF 50V	21-159
1604 1386	Capacitor - 100MF 50V	21-160
1605 0234	Capacitor - 220PF 50V	21-161
1606 0531	Capacitor - 0.01µF 50V	23-108
1606 0531	Capacitor - 0.01µF 50V	25-107
1606 0533	Capacitor - 0.01µF 50V	25-108
1606 1452	Capacitor - 0.01µF 50V	21-162
1610 0039	Resistor - 150OHM 1/8W ±5%	21-163
1610 0046	Resistor - 300OHM 1/8W	21-164
1610 0049	Resistor - 470OHM 1/8W ±5%	21-165
1610 0051	Resistor - 680OHM 1/8W ±5%	21-166
1610 0052	Resistor - 820OHM 1/8 ±5%	21-167
1610 0053	Resistor - 1KOHM 1/8W ±5%	21-168
1610 0055	Resistor - 1.2KOHM 1-8W ±5%	21-169
1610 0061	Resistor - 2.2KOHM 1/8W ±5%	21-170
1610 0064	Resistor - 3KOHM 1/8W ±5%	21-171

Parts No.	Description	Page and Index No.
1610 0065	Resistor - 3.3KOHM 1/8W ±5%	21-172
1610 0067	Resistor - 4.7KOHM 1/8W ±5%	21-173
1610 0071	Resistor - 10KOHM ±5%	21-174
1610 0079	Resistor - 22KOHM 1/8W ±5%	21-175
1611 4102	Resistor - 1KOHM 1/4T ±5%	21-176
1611 4102	Resistor - 1KOHM 1/4T ±5%	23-109
1611 4103	Resistor - 10KOHM 1/4T ±5%	23-110
1611 4105	Resistor - 1KOHM 1/4T ±5%	23-111
1611 4152	Resistor - 1.5KOHM 1/4T ±5%	25-114
1611 4154	Resistor - 150KOHM 1/4T ±5%	25-109
1611 4182	Resistor - 1.8KOHM 1/4T	25-110
1611 4223	Resistor - 22KOHM 1/4T ±5%	25-111
1611 4225	Resistor - 2.2KOHM 1/4T ±5%	23-112
1611 4272	Resistor - 2.7KOHM 1/4T ±5%	21-177
1611 4471	Resistor - 470OHM 1/4T ±5%	23-113
1611 4472	Resistor - 4.7KOHM 1/4T ±5%	21-178
1611 4472	Resistor - 4.7KOHM 1/4T ±5%	23-114
1611 4473	Resistor - 47KOHM 1/4T ±5%	21-179
1611 4473	Resistor - 47KOHM 1/4T ±5%	23-115
1611 4473	Resistor - 47KOHM 1/4T ±5%	25-112
1611 4563	Resistor - 56KOHM 1/4T ±5%	25-113
1622 5490	Resistor Array - 549OHM 1/4W ±1%	21-180
1622 6801	Resistor - 6.8KOHM 1/4T ±1%	21-181